

1. Flange dimensions to ASME B16.5
2. Face to Face dimensions to ASME B16.10
3. Design & Manufacture to API 602
4. Test & inspection to API 598

1	Body	ASTM A182 F316	1
2	Seat Ring	ASTM A276 316	1
3	Disc	ASTM A276 316	1
4	Nut	ASTM A194 8M	1
5	Arm	ASTM A351 CF8M	1
6	Pin	ASTM A276 316	1
7	Spiral Wound Gasket	SS316+Graphite	1
8	Bonnet	ASTM A182 F316	1
9	Nameplate	SS304	1
10	Rivet	SS304	1
11	Body bolt	ASTM A193 B8M	4
S/N	Name	Materials	Qty

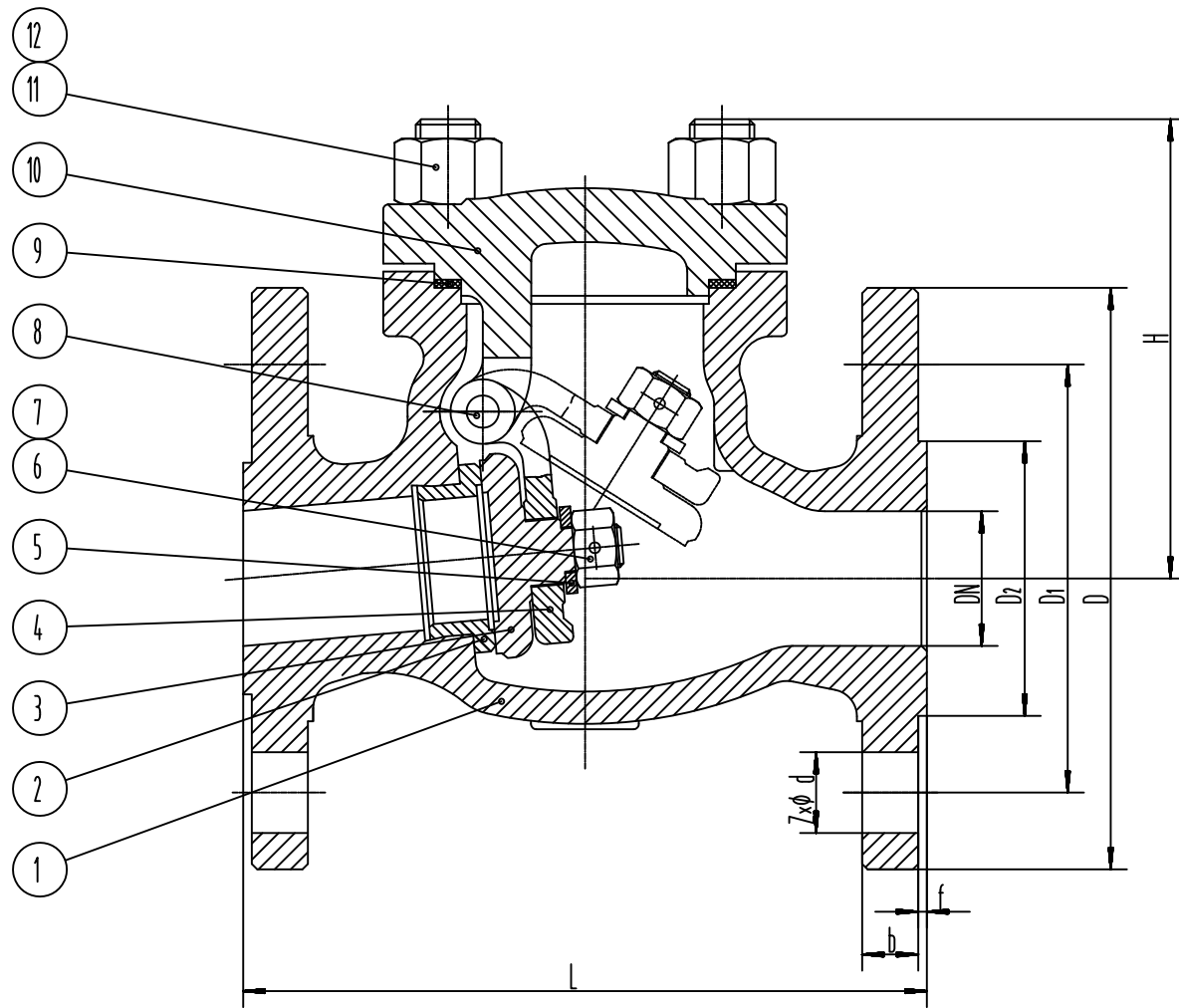
Class	NPS	Dimensions(Inch)									Product SKU
		L	D	D ₁	D ₂	DN	f	b	z-d	H	
CL150	3/4	4.61	3.94	2.75	1.69	0.75	0.08	0.35	4-5/8	2.13	CK15FC.75

Revisions			
A			
B			
C			
D			
E			
Drawn By	HGP	Date	2016-7-28
Checked By	ZBF	Date	2016-7-28
Approved By	CXH	Date	2016-7-28
Certified By	QXL	Date	2016-7-28



Desc:
General Arrangement Drawing
CK15FC Swing Check Valve

Scale:	DWG No.:	Rev.:
		0



1. Flange dimensions to ASME B16.5.
2. Face to Face dimensions to ANSI B16.10.
3. Manufacture in accordance with BS 1868.
4. Valves tested to API 598.

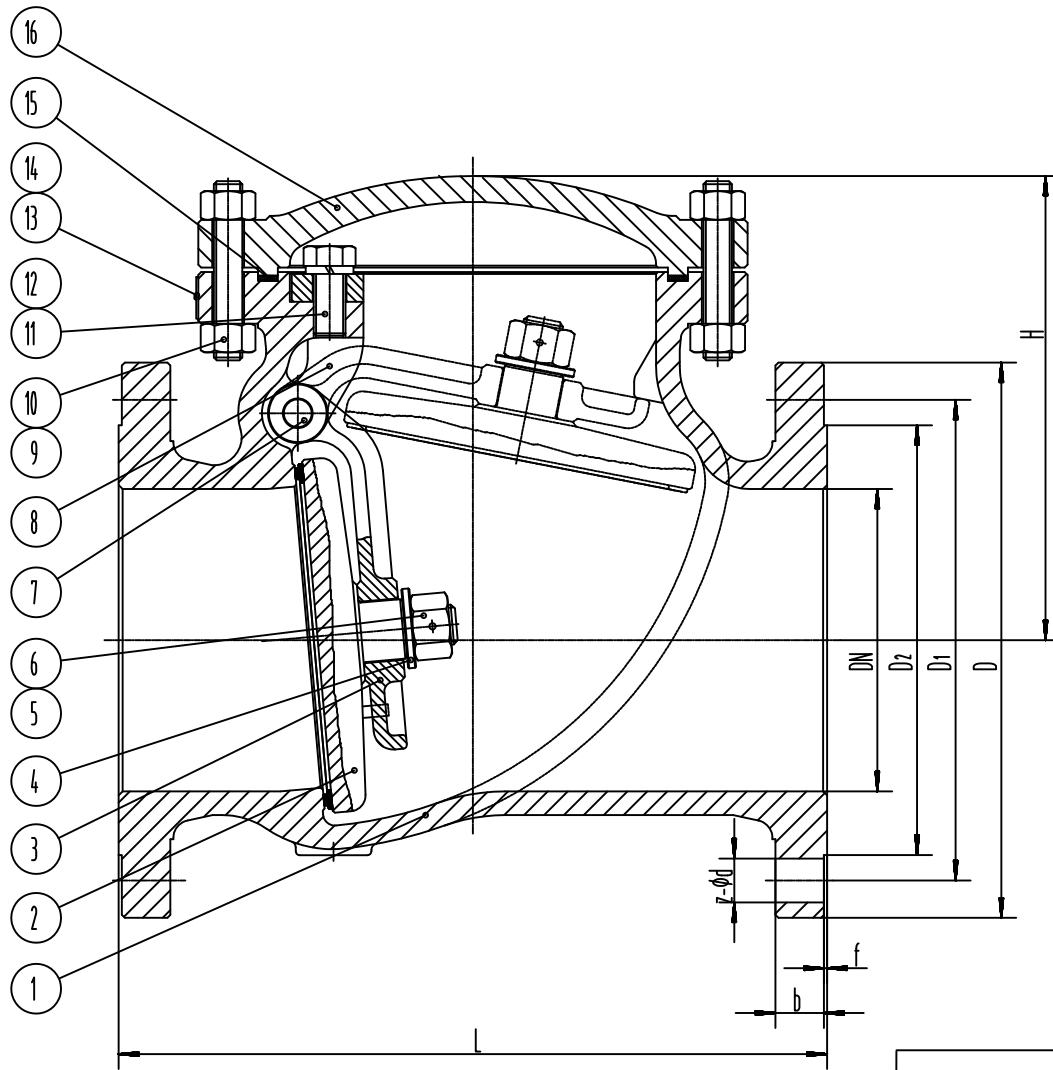
1	Body	ASTM A351 CF8M	1
2	Seat Ring	ASTM A276 316	1
3	Disc	ASTM A351 CF8M	1
4	Arm	ASTM A351 CF8M	1
5	Washer	ASTM A182 F316	1
6	Nut	ASTM A194 8M	1
7	Steel wire	ASTM A240 316	1
8	Pin	ASTM A276 316	1
9	Spiral Wound Gasket	SS316+Graphite	1
10	Bonnet	ASTM A351 CF8M	1
11	Bolt	ASTM A193 B8M	4
12	Nut	ASTM A194 8M	4
S/N	Name	Material	QTY

Class	NPS	Dimensions(Inch)									Product SKU
		L	D	D ₁	D ₂	DN	f	b	z-d	H	
CL150	1	5	4.33	3.13	2	0.98	0.08	0.38	4-5/8	3.31	CK15FC1

Revisions			
A			
B			
C			
D			
E			
Drawn By	HGP	Date	2016-7-28
Checked By	ZBF	Date	2016-7-28
Approved By	CXH	Date	2016-7-28
Certified By	QXL	Date	2016-7-28



Desc:		General Arrangement Drawing CK15FC Swing Check Valve	
Scale:	DWG No.:	Rev.:	0



1. Flange dimensions to ASME B16.5.
2. Face to Face dimensions to ANSI B16.10.
3. Manufacture in accordance with API 6D
4. Valves tested to API 598.

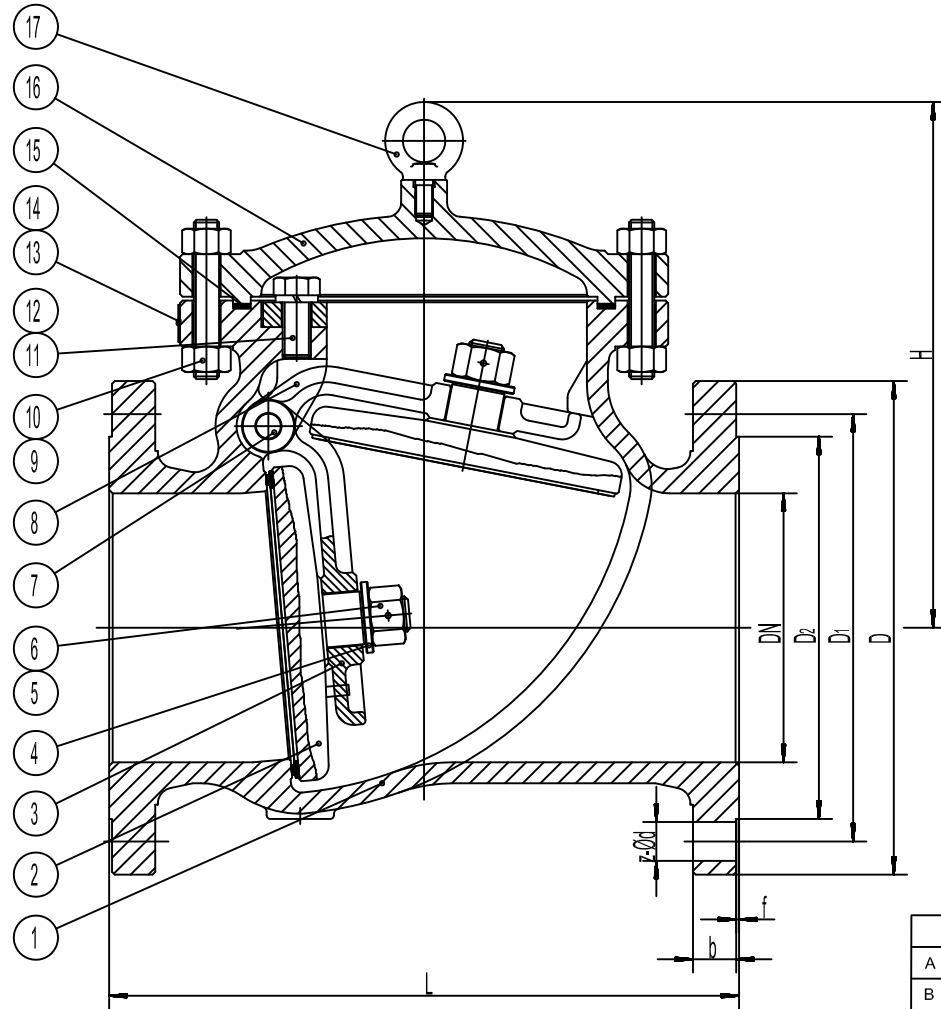
1	Body	ASTM A351 CF8M	1
2	Disc	ASTM A351 CF8M	1
3	Arm	ASTM A351 CF8M	1
4	Washer	ASTM A182 F316	1
5	Nut	ASTM A194 8M	1
6	Steel wire	ASTM A240 316	1
7	Pin	ASTM A276 316	1
8	Yoke	ASTM A351 CF8M	1
9	Bolt	ASTM A193 B8M	6
10	Nut	ASTM A194 8M	12
11	Bolt	ASTM A193 B8M	1
12	Spring Washer	ASTM A240 316	1
13	Nameplate	ASTM A240 304	1
14	Rivet	ASTM A240 304	2
15	Spiral Wound Gasket	SS316+Graphite	1
16	Bonnet	ASTM A351 CF8M	1
S/N	Name	Material	QTY

Class	NPS	Dimensions(Inch)									Product SKU
		L	DN	D	D ₁	D ₂	b	f	Z-φd	H	
CL150	1 1/2	6.5	1.5	4.92	3.87	2.87	0.5	0.08	4-5/8	4.65	CK15FC15

Revisions			
A			
B			
C			
D			
E			
Drawn By	HGP	Date	2016-7-28
Checked By	ZBF	Date	2016-7-28
Approved By	CXH	Date	2016-7-28
Certified By	QXL	Date	2016-7-28



Desc:		General Arrangement Drawing CK15FC Swing Check Valve	
Scale:	DWG No.:	Rev.:	0



1. Flange dimensions to ASME B16.5.
2. Face to Face dimensions to ANSI B16.10
3. Manufacture in accordance with BS 1868
4. Valves tested to API 598.

Class	NPS	Dimensions(Inch)									
		L	DN	D	D ₁	D ₂	b	f	Z-Ød	H	
150	2	8	2	5.91	4.75	3.63	0.56	0.08	4-3/4	5.51	
	2 1/2	8.5	2.5	7.09	5.5	4.13	0.63	0.08	4-3/4	5.79	
	3	9.5	3	7.48	6	5	0.69	0.08	4-3/4	8.19	
	4	11.5	4	9.06	7.5	6.19	0.88	0.08	8-3/4	9.37	
	6	14	6	11.02	9.5	8.5	0.94	0.08	8-7/8	11.69	
	8	19.5	8	13.58	11.75	10.63	1.06	0.08	8-7/8	13.9	

1	Body	ASTM A351 CF8M
2	Disc	ASTM A351 CF8M
3	Arm	ASTM A351 CF8M
4	Washer	ASTM A182 F316
5	Nut	ASTM A194 8M
6	Steel wire	ASTM A240 316
7	Pin	ASTM A276 316
8	Yoke	ASTM A351 CF8M
9	Bolt	ASTM A193 B8M
10	Nut	ASTM A194 8M
11	Bolt	ASTM A193 B8M
12	Spring Washer	ASTM A240 316
13	Nameplate	ASTM A240 304
14	Rivet	ASTM A240 304
15	Spiral Wound Gasket	SS316+Graphite
16	Bonnet	ASTM A351 CF8M
17	Eye bolt	ASTM 1025
S/N	Name	Material

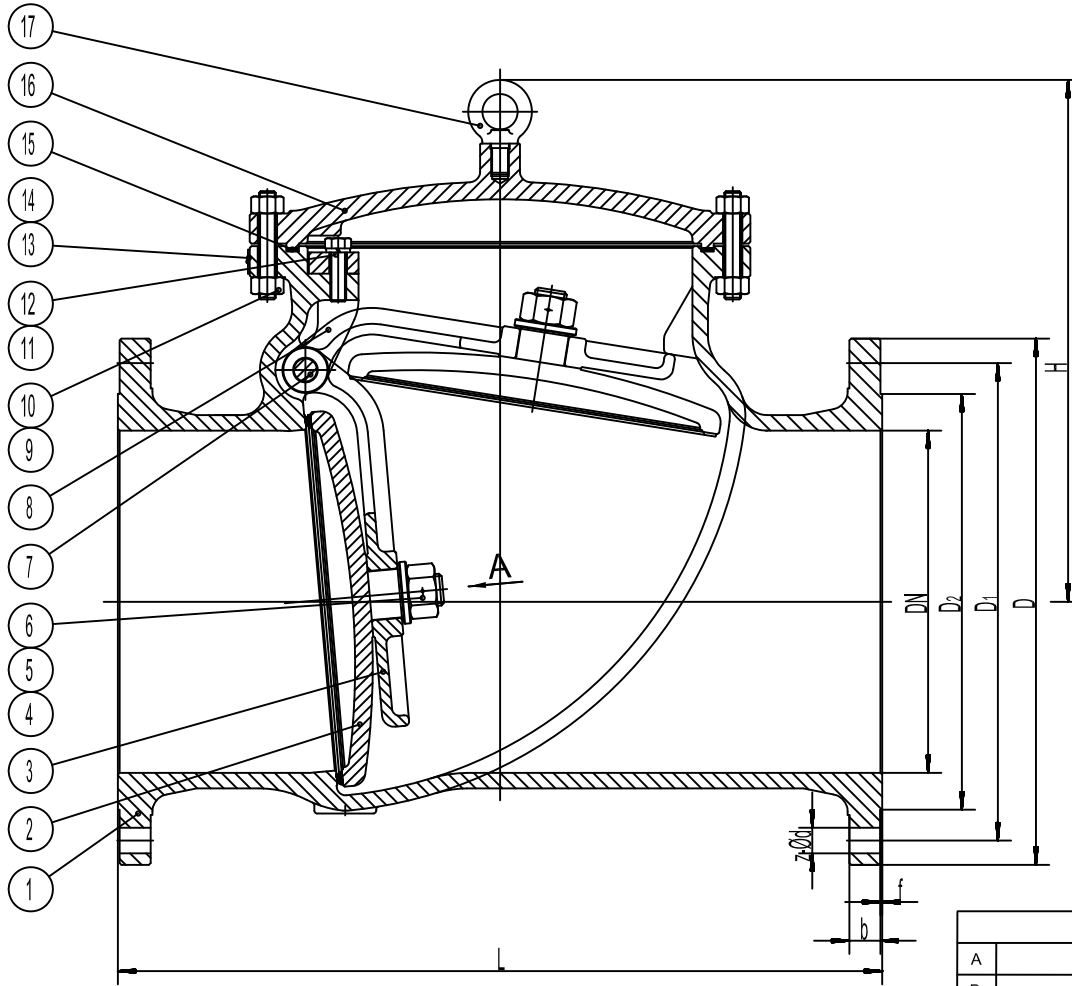
Revisions			
A			
B			
C			
D			
E			
Drawn By	CXY	Date	2017-06-23
Checked By		Date	
Approved By		Date	
Certified By		Date	



Desc:
General Arrangement Drawing
CK15FC Swing Check Valve

Scale:	DWG No.:	Rev.:
		0

Class	NPS	Dimensions(Inch)								
		L	DN	D	D ₁	D ₂	b	f	Z-Ød	H
150	10	24.5	10	15.94	14.25	12.75	1.13	0.08	12-1	16.22
	12	27.5	12	19.09	17	15	1.19	0.08	12-1	18.9



1. Flange dimensions to ASME B16.5.
2. Face to Face dimensions to ANSI B16.10.
3. Manufacture in accordance with BS 1868.
4. Valves tested to API 598.

1	Body	ASTM A351 CF8M
2	Disc	ASTM A351 CF8M
3	Arm	ASTM A351 CF8M
4	Washer	ASTM A182 F316
5	Nut	ASTM A194 8M
6	Steel wire	ASTM A240 316
7	Pin	ASTM A276 316
8	Yoke	ASTM A351 CF8M
9	Bolt	ASTM A193 B8M
10	Nut	ASTM A194 8M
11	Bolt	ASTM A193 B8M
12	Spring Washer	ASTM A240 316
13	Nameplate	ASTM A240 304
14	Rivet	ASTM A240 304
15	Spiral Wound Gasket	SS316+Graphite
16	Bonnet	ASTM A351 CF8M
17	Eye bolt	ASTM 1025
S/N	Name	Material

Revisions			
A			
B			
C			
D			
E			
Drawn By	CXY	Date	2017-06-23
Checked By		Date	
Approved By		Date	
Certified By		Date	



Desc:
General Arrangement Drawing
CK15FC Swing Check Valve

Scale:	DWG No.:	Rev.:
		0