

1. Flange dimensions to ASME B16.5
2. Face to Face dimensions to ASME B16.10
3. Design & Manufacture to API 602
4. Test & inspection to API 598

1	Body	ASTM A182 F316	1
2	Seat Ring	ASTM A276 316	1
3	Disc	ASTM A276 316	1
4	Nut	ASTM A194 8M	1
5	Arm	ASTM A351 CF8M	1
6	Pin	ASTM A276 316	1
7	Spiral Wound Gasket	SS316+Graphite	1
8	Bonnet	ASTM A182 F316	1
9	Nameplate	SS304	1
10	Rivet	SS304	1
11	Body bolt	ASTM A193 B8M	4
S/N	Name	Materials	Qty

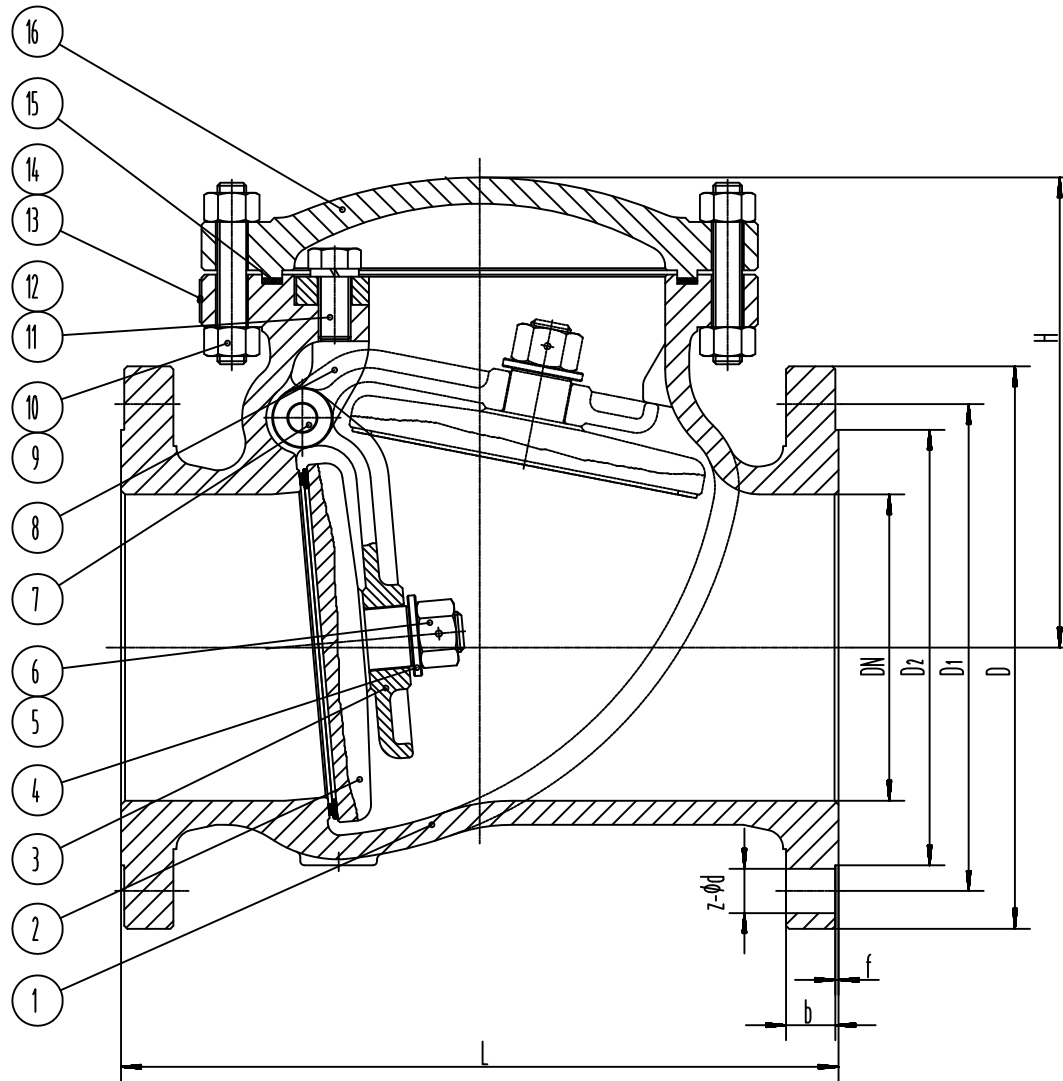


Desc:
General Arrangement Drawing
CK30FC Swing Check Valve

Scale:	DWG No.:	Rev.:
		0

Revisions			
A			
B			
C			
D			
E			
Drawn By	HGP	Date	2016-7-28
Checked By	ZBF	Date	2016-7-28
Approved By	CXH	Date	2016-7-28
Certified By	QXL	Date	2016-7-28

Class	NPS	Dimensions(Inch)									Product SKU
		L	D	D ₁	D ₂	DN	f	b	z-d	H	
CL300	1	8	4.92	3.5	2	1	0.08	0.63	4-3/4	2.91	CK30FC1



1. Flange dimensions to ASME B16.5.
2. Face to Face dimensions to ANSI B16.10.
3. Manufacture in accordance with API 6D
4. Valves tested to API 598.

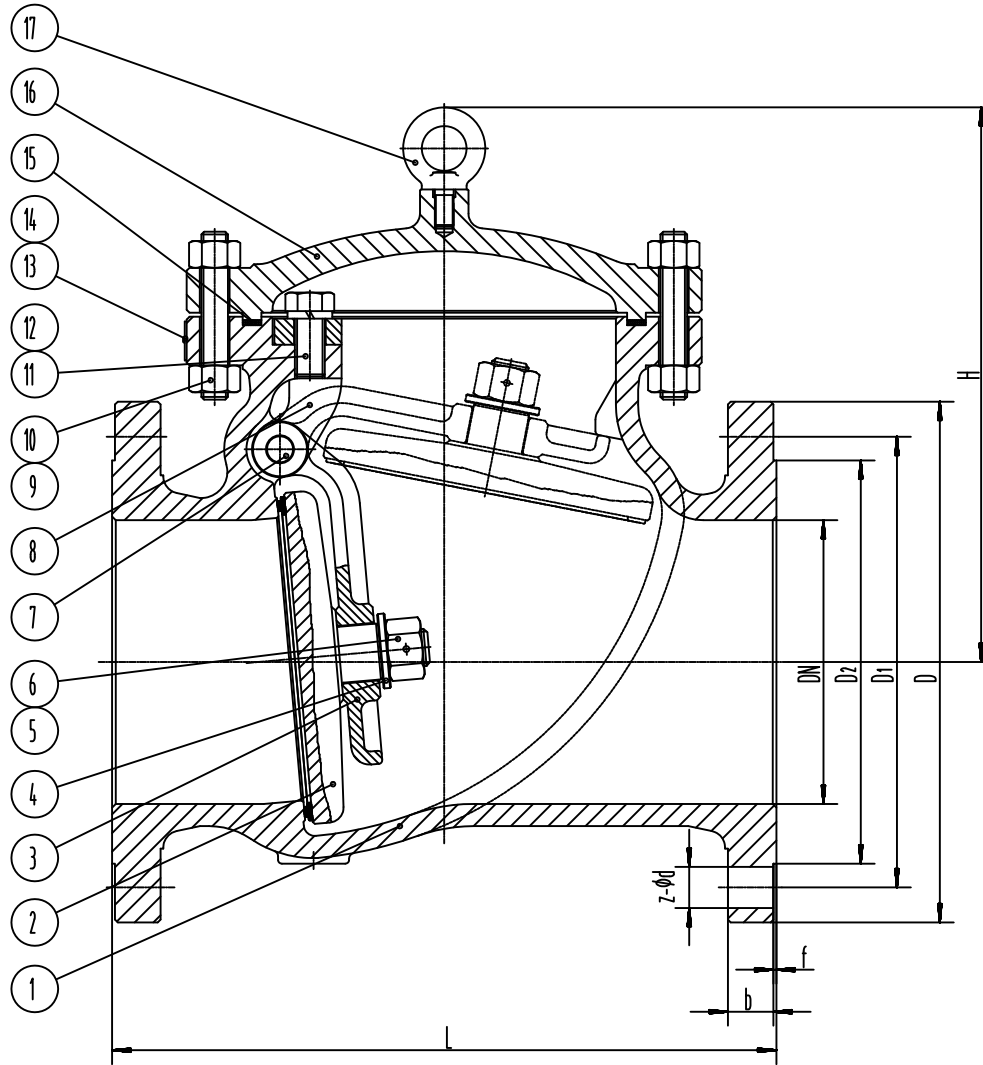
1	Body	ASTM A351 CF8M	1
2	Disc	ASTM A351 CF8M	1
3	Arm	ASTM A351 CF8M	1
4	Washer	ASTM A182 F316	1
5	Nut	ASTM A194 8M	1
6	Steel wire	ASTM A240 316	1
7	Pin	ASTM A276 316	1
8	Yoke	ASTM A351 CF8M	1
9	Bolt	ASTM A193 B8M	10
10	Nut	ASTM A194 8M	20
11	Bolt	ASTM A193 B8M	1
12	Spring Washer	ASTM A240 316	1
13	Nameplate	ASTM A240 304	1
14	Rivet	ASTM A240 304	2
15	Spiral Wound Gasket	SS316+Graphite	1
16	Bonnet	ASTM A351 CF8M	1
S/N	Name	Material	QTY

Class	NPS	Dimensions(Inch)									Product SKU
		L	D	D ₁	D ₂	DN	f	b	z-d	H	
CL300	2	10.5	6.5	5	3.63	2	0.08	0.81	8-3/4	5.91	CK30FC2

Revisions			
A			
B			
C			
D			
E			
Drawn By	HGP	Date	2016-7-28
Checked By	ZBF	Date	2016-7-28
Approved By	CXH	Date	2016-7-28
Certified By	QXL	Date	2016-7-28



Desc:		
General Arrangement Drawing CK30FC Swing Check Valve		
Scale:	DWG No.:	Rev.: 0



1. Flange dimensions to ASME B16.5.
2. Face to Face dimensions to ANSI B16.10.
3. Manufacture in accordance with API 6D
4. Valves tested to API 598.

1	Body	ASTM A351 CF8M	1
2	Disc	ASTM A351 CF8M	1
3	Arm	ASTM A351 CF8M	1
4	Washer	ASTM A182 F316	1
5	Nut	ASTM A194 8M	1
6	Steel wire	ASTM A240 316	1
7	Pin	ASTM A276 316	1
8	Yoke	ASTM A351 CF8M	1
9	Bolt	ASTM A193 B8M	12
10	Nut	ASTM A194 8M	24
11	Bolt	ASTM A193 B8M	1
12	Spring Washer	ASTM A240 316	1
13	Nameplate	ASTM A240 304	1
14	Rivet	ASTM A240 304	2
15	Spiral Wound Gasket	SS316+Graphite	1
16	Bonnet	ASTM A351 CF8M	1
17	Eye bolt	ASTM 1025	1
S/N	Name	Material	QTY

Class	NPS	Dimensions(Inch)									Product SKU
		L	DN	D	D ₁	D ₂	b	f	Z-φd	H	
CL300	3	12.5	3	8.27	6.63	5	1.06	0.08	8-7/8	8.74	CK30FC3
	4	14	4	10.04	7.87	6.19	1.19	0.08	8-7/8	10.31	CK30FC4

Revisions			
A			
B			
C			
D			
E			
Drawn By	HGP	Date	2016-7-28
Checked By	ZBF	Date	2016-7-28
Approved By	CXH	Date	2016-7-28
Certified By	QXL	Date	2016-7-28



Desc:
General Arrangement Drawing
CK30FC Swing Check Valve

Scale:	DWG No.:	Rev.:
		0