

- Design Standards:
1. Design & Manufacture according to API 608, ASME B16.34.
 2. Face to Face dimensions to ASME B16.10.
 3. Fire safe to API 607.
 4. Flange dimensions to ASME B16.5.
 5. Valves tested to API 598.

21	Cap Screw	ASTM A193 B8	1
20	Washer	SS304	1
19	Lever	ASTM A351 CF8	1
18	Stopper	SS304	1
17	Bolt	ASTM A194 B8M	2
16	Packing Gland	ASTM A351 CF8M	1
15	Packing	Graphite	3
14	Packing washer	RPTFE	1
13	Rivet	SS304	1
12	Nameplate	SS304	2
11	Backseat Washer	RPTFE	1
10	Stem	ASTM A182 F316	2
9	Anti-static Ball	ASTM A182 F316	2
8	Anti-static Spring	SS316	1
7	Seat	RPTFE	2
6	Ball	ASTM A182 F316	1
5	Body Closure	ASTM A351 CF8M	1
4	Gasket	ASTM A240 316+Graphite	1
3	Body Nut	ASTM A194 8M	4
2	Body Bolt	ASTM A193 B8M	4
1	Body	ASTM A351 CF8M	1
Part No	Part Name	Material	Qty

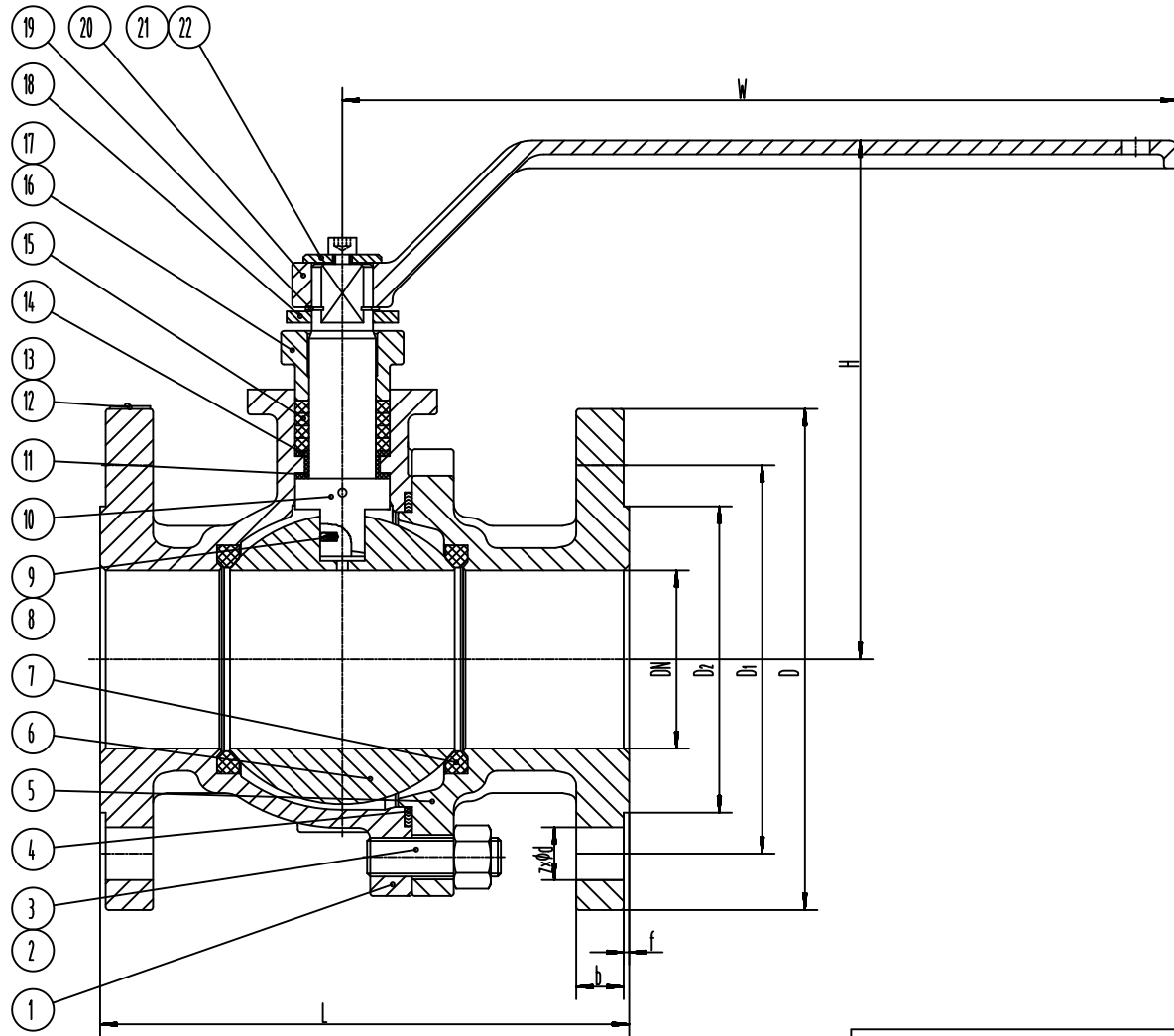
Class	NPS	Dimensions(Inch)									Product SKU	
		L	DN	D	D ₁	D ₂	b	f	Z-φd	W		H
300	1/2	5.5	0.5	3.74	2.63	1.37	0.5	0.08	4-5/8	5.91	3.7	FZ30FRC.50
	3/4	6	0.75	4.53	3.25	1.69	0.56	0.08	4-3/4	6.69	3.94	FZ30FRC.75
	1	6.5	1	4.92	3.5	2	0.63	0.08	4-3/4	7.09	4.33	FZ30FRC1
	1 1/2	7.5	1.5	6.1	4.5	2.87	0.75	0.08	4-7/8	8.66	5.16	FZ30FRC1.5

Revisions			
A			
B			
C			
D			
E			
Drawn By	HGP	Date	2016-7-28
Checked By	YJW	Date	2016-7-28
Approved By	PJO	Date	2016-7-28
Certified By	QXL	Date	2016-7-28



Desc: General Arrangement Drawing
FZ30FRC Floating Ball Valve

Scale:	DWG No.:	Rev.:
--------	----------	-------



- Design Standards:
1. Design & Manufacture according to API 608, ASME B16.34.
 2. Face to Face dimensions to ASME B16.10.
 3. Fire safe to API 607.
 4. Flange dimensions to ASME B16.5.
 5. Valves tested to API 598.

22	Cap Screw	ASTM A193 B8	1
21	Washer	SS304	1
20	Lever	ASTM A216 WCB	1
19	Stop collar	SS304	1
18	Stopper	SS304	1
17	Bolt	ASTM A194 B8M	2
16	Packing Gland	ASTM A351 CF8M	1
15	Packing	Graphite	4
14	Packing washer	RPTFE	1
13	Rivet	SS304	1
12	Nameplate	SS304	2
11	Backseat Washer	RPTFE	1
10	Stem	ASTM A182 F316	1
9	Anti-static Ball	ASTM A182 F316	2
8	Anti-static Spring	SS316	2
7	Seat	RPTFE	2
6	Ball	ASTM A182 F316	1
5	Body Closure	ASTM A351 CF8M	1
4	Gasket	ASTM A240 316+Graphite	1
3	Body Nut	ASTM A194 8M	8
2	Body Bolt	ASTM A193 B8M	8
1	Body	ASTM A351 CF8M	1
Part No	Part Name	Material	Qty

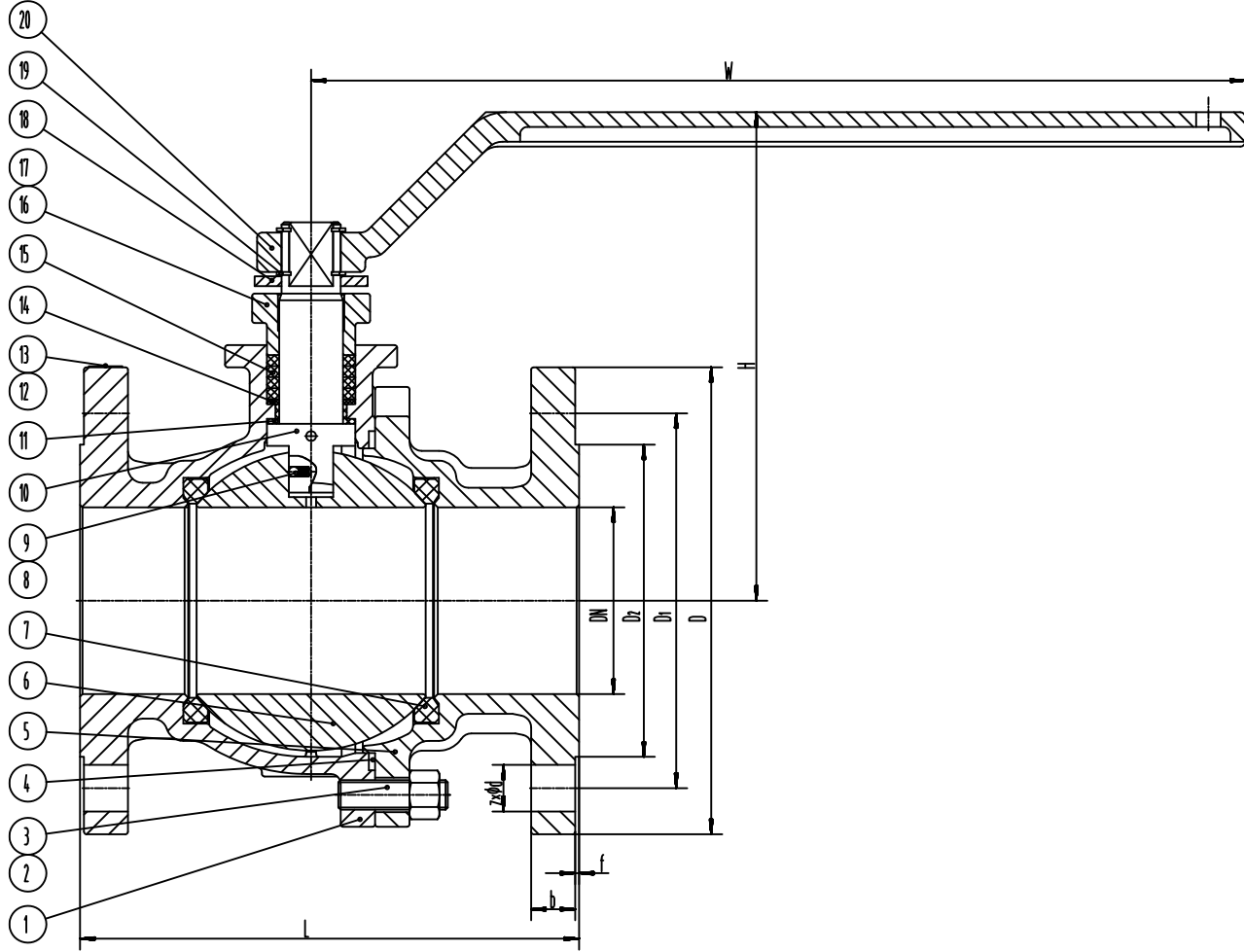
Class	NPS	Dimensions(Inch)										Product SKU
		L	DN	D	D ₁	D ₂	b	f	Z-φd	W	H	
300	2 1/2	9.5	2.5	7.48	5.87	4.13	0.94	0.08	8-7/8	11.81	7.36	FZ30FRC2.5

Revisions			
A			
B			
C			
D			
E			
Drawn By	HGP	Date	2016-7-28
Checked By	YJW	Date	2016-7-28
Approved By	PJO	Date	2016-7-28
Certified By	QXL	Date	2016-7-28



Desc: **General Arrangement Drawing
FZ30FRC Floating Ball Valve**

Scale:	DWG No.:	Rev.:
--------	----------	-------



- Design Standards:
1. Design & Manufacture according to API 608, ASME B16.34.
 2. Face to Face dimensions to ASME B16.10.
 3. Fire safe to API 607.
 4. Flange dimensions to ASME B16.5.
 5. Valves tested to API 598.

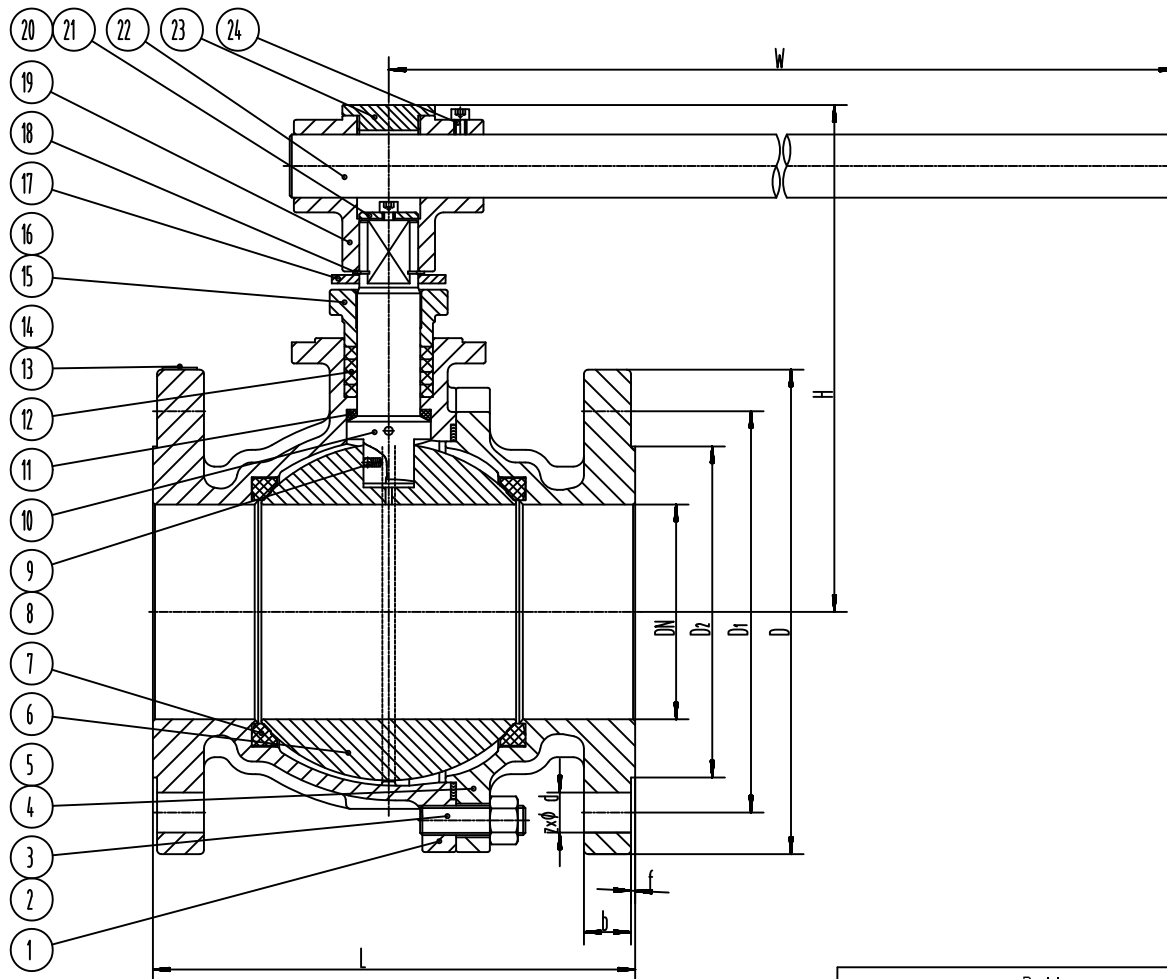
20	Lever	ASTM A216 WCB	1
19	Stop collar	SS304	2
18	Stopper	SS304	1
17	Bolt	ASTM A194 B8M	2
16	Packing Gland	ASTM A351 CF8M	1
15	Packing	Graphite	4
14	Packing washer	RPTFE	1
13	Rivet	SS304	1
12	Nameplate	SS304	2
11	Backseat Washer	RPTFE	1
10	Stem	ASTM A182 F316	1
9	Anti-static Ball	ASTM A182 F316	2
8	Anti-static Spring	SS316	2
7	Seat	RPTFE	2
6	Ball	ASTM A182 F316	1
5	Body Closure	ASTM A351 CF8M	1
4	Gasket	ASTM A240 316+Graphite	1
3	Body Nut	ASTM A194 8M	8
2	Body Bolt	ASTM A193 B8M	8
1	Body	ASTM A351 CF8M	1
Part No	Part Name	Material	Qty

Class	NPS	Dimensions(Inch)										Product SKU
		L	DN	D	D ₁	D ₂	b	f	Z-φd	W	H	
300	3	11.14	3	8.27	6.63	5	1.06	0.08	8-7/8	14.96	7.83	FZ30FRC3

Revisions			
A			
B			
C			
D			
E			
Drawn By	HGP	Date	2016-7-28
Checked By	YJW	Date	2016-7-28
Approved By	PJO	Date	2016-7-28
Certified By	QXL	Date	2016-7-28



Desc:		
General Arrangement Drawing FZ30FRC Floating Ball Valve		
Scale:	DWG No.:	Rev.:



- Design Standards:
1. Design & Manufacture according to API 608, ASME B16.34.
 2. Face to Face dimensions to ASME B16.10.
 3. Fire safe to API 607.
 4. Flange dimensions to ASME B16.5.
 5. Valves tested to API 598.

24	Bolt	ASTM A193 B8	1
23	Top cap	ASTM 1025	1
22	Lever	ASTM 1035	1
21	Cap Screw	ASTM A193 B8	1
20	Washer	SS304	1
19	Adapter	ASTM A351 CF8	1
18	Stop collar	SS304	1
17	Stopper	SS304	1
16	Bolt	ASTM A194 B8M	2
15	Packing Gland	ASTM A351 CF8M	1
14	Rivet	SS304	1
13	Nameplate	SS304	2
12	Packing	Graphite	4
11	Upper Seal	RPTFE	1
10	Stem	ASTM A182 F316	1
9	Anti-static Ball	ASTM A182 F316	2
8	Anti-static Spring	SS316	2
7	Seat	RPTFE	2
6	Ball	ASTM A182 F316	1
5	Body Closure	ASTM A351 CF8M	1
4	Gasket	ASTM A240 316+Graphite	1
3	Body Nut	ASTM A194 8M	8
2	Body Bolt	ASTM A193 B8M	8
1	Body	ASTM A351 CF8M	1
Part No	Part Name	Material	Qty

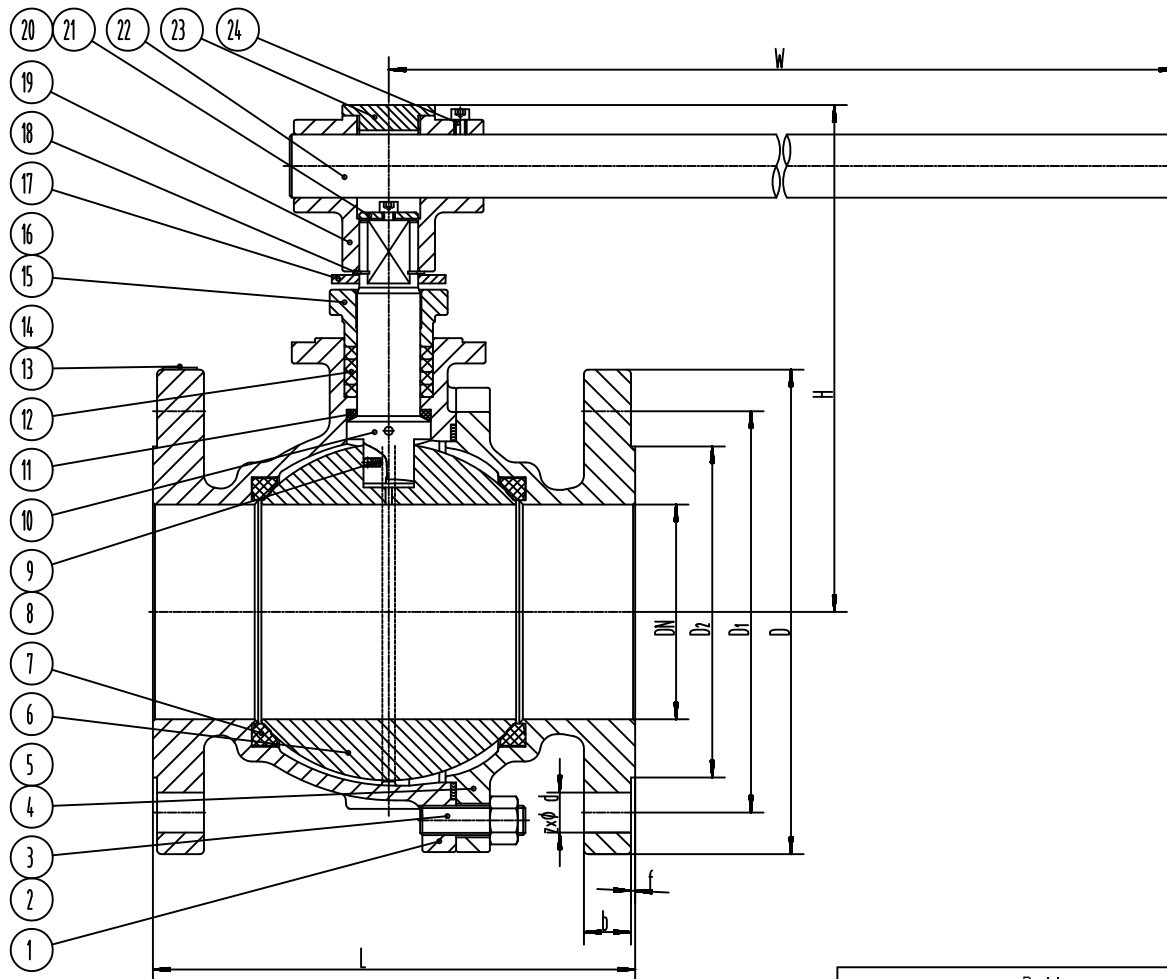
Class	NPS	Dimensions(Inch)										Product SKU
		L	DN	D	D ₁	D ₂	b	f	Z-φd	W	H	
300	4	12	4	10.04	7.87	6.19	1.19	0.08	8-7/8	19.69	9.49	FZ30FRC4

Revisions			
A			
B			
C			
D			
E			
Drawn By	HGP	Date	2016-7-28
Checked By	YJW	Date	2016-7-28
Approved By	PJO	Date	2016-7-28
Certified By	QXL	Date	2016-7-28



Desc: General Arrangement Drawing
FZ30FRC Floating Ball Valve

Scale:	DWG No.:	Rev.:
--------	----------	-------



Design Standards:

1. Design & Manufacture according to API 608, ASME B16.34.
2. Face to Face dimensions to ASME B16.10.
3. Fire safe to API 607.
4. Flange dimensions to ASME B16.5.
5. Valves tested to API 598.

24	Bolt	ASTM A193 B8	1
23	Top cap	ASTM 1025	1
22	Lever	ASTM 1035	1
21	Cap Screw	ASTM A193 B8	1
20	Washer	SS304	1
19	Adapter	ASTM A351 CF8	1
18	Stop collar	SS304	1
17	Stopper	SS304	1
16	Bolt	ASTM A194 B8M	2
15	Packing Gland	ASTM A351 CF8M	1
14	Rivet	SS304	1
13	Nameplate	SS304	2
12	Packing	Graphite	5
11	Upper Seal	RPTFE	1
10	Stem	ASTM A182 F316	1
9	Anti-static Ball	ASTM A182 F316	2
8	Anti-static Spring	SS316	2
7	Seat	RPTFE	2
6	Ball	ASTM A182 F316	1
5	Body Closure	ASTM A351 CF8M	1
4	Gasket	ASTM A240 316+Graphite	1
3	Body Nut	ASTM A194 8M	10
2	Body Bolt	ASTM A193 B8M	10
1	Body	ASTM A351 CF8M	1
Part No	Part Name	Material	Qty

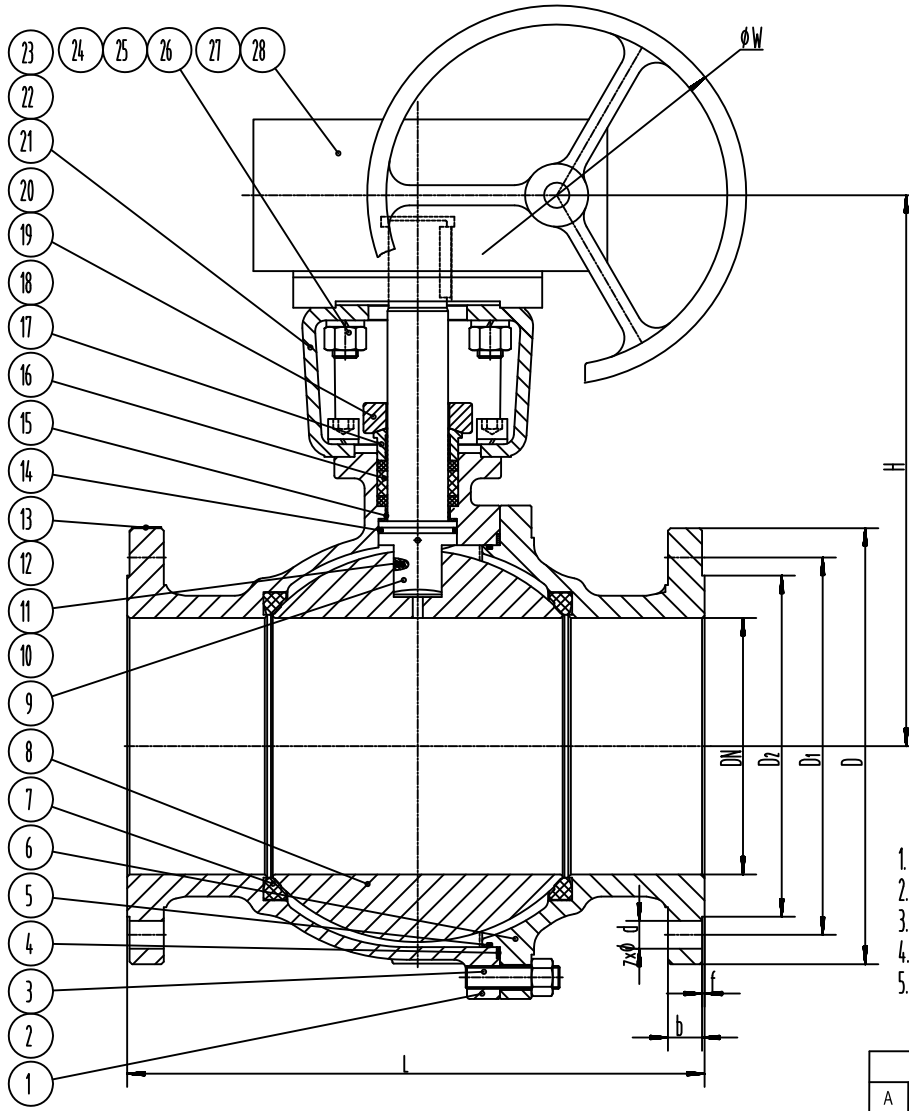
Class	NPS	Dimensions(Inch)										Product SKU
		L	DN	D	D ₁	D ₂	b	f	Z-φd	W	H	
300	6	15.87	6	12.6	10.63	8.5	1.38	0.08	12-7/8	31.5	12.6	FZ30FRC6

Revisions			
A			
B			
C			
D			
E			
Drawn By	HGP	Date	2016-7-28
Checked By	YJW	Date	2016-7-28
Approved By	PJO	Date	2016-7-28
Certified By	QXL	Date	2016-7-28



Desc: **General Arrangement Drawing
FZ30FRC Floating Ball Valve**

Scale:	DWG No.:	Rev.:
--------	----------	-------



Design Standards:
 1. Design & Manufacture according to API 608, ASME B16.34.
 2. Face to Face dimensions to ASME B16.10.
 3. Fire safe to API 607.
 4. Flange dimensions to ASME B16.5.
 5. Valves tested to API 598.

28	Gear	ASTM A216 WCB	1
27	Key	ASTM 1045	1
26	Nut	ASTM A194 8M	4
25	Bolt	ASTM A193 B8M	4
24	Spring gasket	ASTM A240 316	4
23	Nut	ASTM A194 8M	4
22	Bolt	ASTM A193 B8M	4
21	Yoke	ASTM A216 WCB	1
20	Bolt	ASTM A193 B8M	2
19	Gland flange	ASTM A351 CF8M	1
18	Gland	ASTM A182 F316	1
17	bushing	PTFE	1
16	Packing	Graphite	5
15	Backseat Washer	RPTFE	1
14	O ring	VITON	1
13	Rivet	SS304	2
12	Nameplate	SS304	1
11	Anti-static Ball	ASTM A182 F316	2
10	Anti-static Spring	SS316	2
9	Stem	ASTM A182 F316	1
8	Ball	ASTM A182 F316	1
7	Seat	RPTFE	2
6	Body Closure	ASTM A351 CF8M	1
5	O ring	VITON	1
4	Gasket	ASTM A240 316+Graphite	1
3	Body Nut	ASTM A194 8M	16
2	Body Bolt	ASTM A193 B8M	16
1	Body	ASTM A351 CF8M	1
Part No	Part Name	Material	Qty

Class	NPS	Dimensions(Inch)										Product SKU
		L	DN	D	D ₁	D ₂	b	f	Z-φd	W	H	
300	8	19.76	8	14.96	13	10.63	1.56	0.08	12-1	11.81	17.17	FZ30FRC8

Revisions			
A			
B			
C			
D			
E			
Drawn By	HGP	Date	2016-7-28
Checked By	YJW	Date	2016-7-28
Approved By	PJO	Date	2016-7-28
Certified By	QXL	Date	2016-7-28



Desc:		
General Arrangement Drawing FZ30FRC Floating Ball Valve		
Scale:	DWG No.:	Rev.: