

1. Flange dimensions to ASME B16.5
2. Face to Face dimensions to ASME B16.10
3. Design & Manufacture to API 602
4. Test & inspection to API 598

1	Body	ASTM A182 F316	1
2	Disc	ASTM A276 316	1
3	Stem	ASTM A276 316	1
4	Spiral Wound Gasket	SS316+Graphite	1
5	Bonnet	ASTM A182 F316	1
6	Body bolt	ASTM A193 B8M	4
7	Packing	Graphite	5
8	Gland	ASTM A276 316	1
9	Gland flange	ASTM A182 F304	1
10	Pin	SS316	2
11	Gland eyebolt	ASTM A193 B8M	2
12	Eyebolt nut	ASTM A194 8M	2
13	Stem nut	ASTM A276 410	1
14	Hand wheel	ASTM A47 32510	1
15	Nameplate	ss304	1
16	Gasket	ASTM 1020	1
17	Hand wheel nut	ASTM 1020	1
S/N	Name	Material	Qty

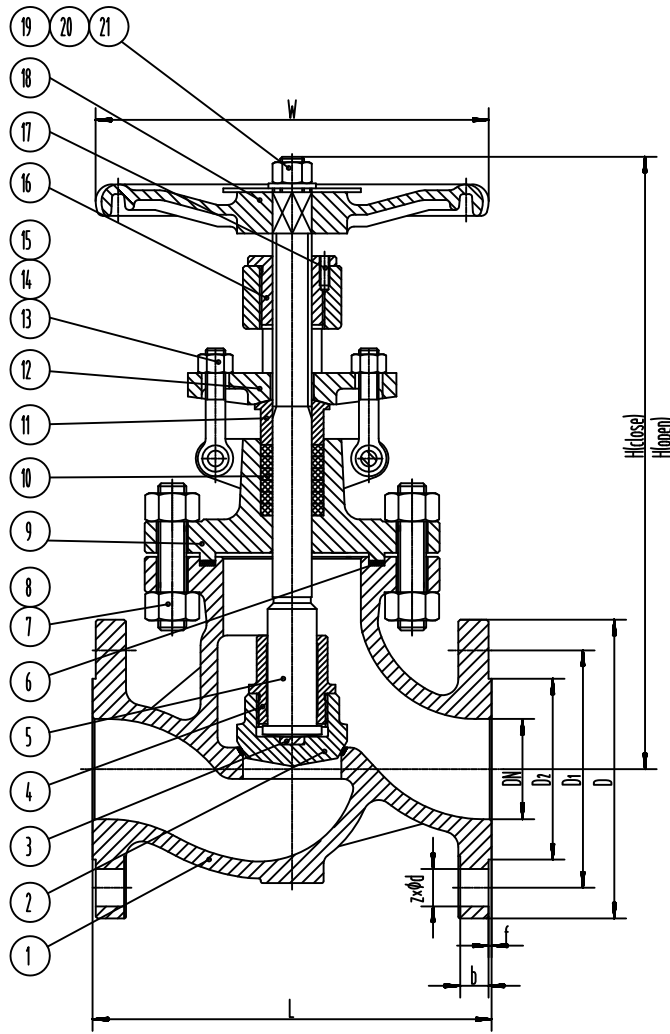
NPS	Dimensions(Inch)										Product SKU
	L	D	D ₁	D ₂	DN	f	b	z-d	H	W	
1	5	4.33	3.13	2	1	0.08	0.38	4-5/8	7.09	4.72	GL15FC1
1 1/2	6.5	4.92	3.87	2.87	1.5	0.08	0.5	4-5/8	8.98	6.3	GL15FC15

Revisions			
A			
B			
C			
D			
E			
Drawn By	HGP	Date	2016-7-28
Checked By	ZBF	Date	2016-7-28
Approved By	CXL	Date	2016-7-28
Certified By	QXL	Date	2016-7-28



Desc:
General Arrangement Drawing
GL15FC Globe Valve

Scale:	DWG No.:	Rev.:
		0



1. Flange dimensions to ASME B16.5
2. Face to Face dimensions to ANSI B16.10
3. Manufacture in accordance with BS 1873
4. Valves tested to API 598

1	Body	ASTM A351 CF8M	1
2	Disc	ASTM A351 CF8M	1
3	Cushion	ASTM A182 F316	1
4	Disc Nut	ASTM A182 F316	1
5	Stem	ASTM A182 F316	1
6	Gasket	SS316+Graphite	1
7	Bolt	ASTM A193 B8M	6
8	Nut	ASTM A194 8M	12
9	Bonnet	ASTM A351 CF8M	1
10	Packing	Graphite	6
11	Gland	ASTM A182 F316	1
12	Gland flange	ASTM A351 CF8M	1
13	Pin	SS316	2
14	Bolt	ASTM A193 B8M	2
15	Nut	ASTM A194 8M	2
16	Yoke Nut	ASTM B148 C95200	1
17	Bolt	ASTM 1025	1
18	Handwheel	ASTM A216 WCB	1
19	Nameplate	SS304	1
20	Bolt	ASTM 1025	1
21	Gasket	ASTM 1035	1
S/N	Name	Material	QTY

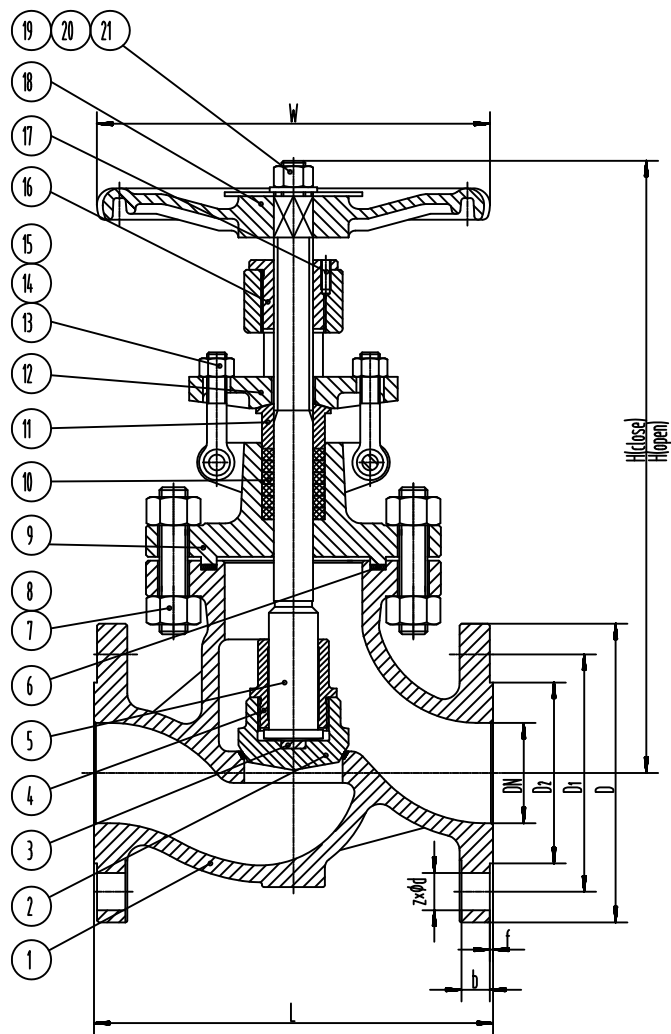
NPS	Dimensions(Inch)										Product SKU	
	L	D	D ₁	D ₂	DN	f	b	z-d	H(Close)	H(Open)		W
2	8	5.91	4.75	3.63	2	0.08	0.56	4-3/4	12.28	13.15	7.87	GL15FC2

Revisions			
A			
B			
C			
D			
E			
Drawn By	HGP	Date	2016-7-28
Checked By	ZBF	Date	2016-7-28
Approved By	CXH	Date	2016-7-28
Certified By	QXL	Date	2016-7-28



Desc: **General Arrangement Drawing
GL15FC Globe Valve**

Scale:	DWG No.:	Rev.: 0
--------	----------	------------



1. Flange dimensions to ASME B16.5
2. Face to Face dimensions to ANSI B16.10
3. Manufacture in accordance with BS 1873
4. Valves tested to API 598

1	Body	ASTM A351 CF8M	1
2	Disc	ASTM A351 CF8M	1
3	Cushion	ASTM A182 F316	1
4	Disc Nut	ASTM A182 F316	1
5	Stem	ASTM A182 F316	1
6	Gasket	SS316+Graphite	1
7	Bolt	ASTM A193 B8M	8
8	Nut	ASTM A194 8M	16
9	Bonnet	ASTM A351 CF8M	1
10	Packing	Graphite	5
11	Gland	ASTM A182 F316	1
12	Gland flange	ASTM A351 CF8M	1
13	Pin	SS316	2
14	Bolt	ASTM A193 B8M	2
15	Nut	ASTM A194 8M	2
16	Yoke Nut	ASTM B148 C95200	1
17	Bolt	ASTM 1025	1
18	Handwheel	ASTM A216 WCB	1
19	Nameplate	SS304	1
20	Bolt	ASTM 1025	1
21	Gasket	ASTM 1035	1
S/N	Name	Material	QTY

NPS	Dimensions										Product SKU	
	L	D	D ₁	D ₂	DN	f	b	z-d	H(Close)	H(Open)		W
3	9.5	7.48	6	5	3	0.08	0.69	4-3/4	14.57	15.83	9.84	GL15FC3
4	11.5	9.06	7.5	6.19	4	0.08	0.88	8-3/4	16.42	18.19	11.81	GL15FC4

Revisions			
A			
B			
C			
D			
E			
Drawn By	HGP	Date	2016-7-28
Checked By	ZBF	Date	2016-7-28
Approved By	CXH	Date	2016-7-28
Certified By	QXL	Date	2016-7-28



Desc: **General Arrangement Drawing**
GL15FC Globe Valve

Scale:	DWG No.:	Rev.: 0
--------	----------	------------