

1. Flange dimensions to ASME B16.5
2. Face to Face dimensions to ASME B16.10
3. Design & Manufacture to API 602
4. Test & inspection to API 598

1	Body	ASTM A182 F316	1
2	Seat Ring	ASTM A276 316	2
3	Gate	ASTM A276 316	1
4	Stem	ASTM A276 316	1
5	Spiral Wound Gasket	SS316+Graphite	1
6	Bonnet	ASTM A182 F316	1
7	Body bolt	ASTM A193 B8M	4
8	Packing	Graphite	5
9	Gland	ASTM A276 316	1
10	Gland flange	ASTM A182 F316	1
11	Pin	SS316	2
12	Gland eyebolt	ASTM A193 B8M	2
13	Eyebolt nut	ASTM A194 8M	2
14	Stem nut	ASTM A276 410	1
15	Hand wheel	ASTM A47 32510	1
16	Lubricating Gasket	ASTM A276 410	1
17	Nameplate	SS304	1
18	Hand wheel nut	ASTM A108 1020	1
S/N	Name	Materials	Qty

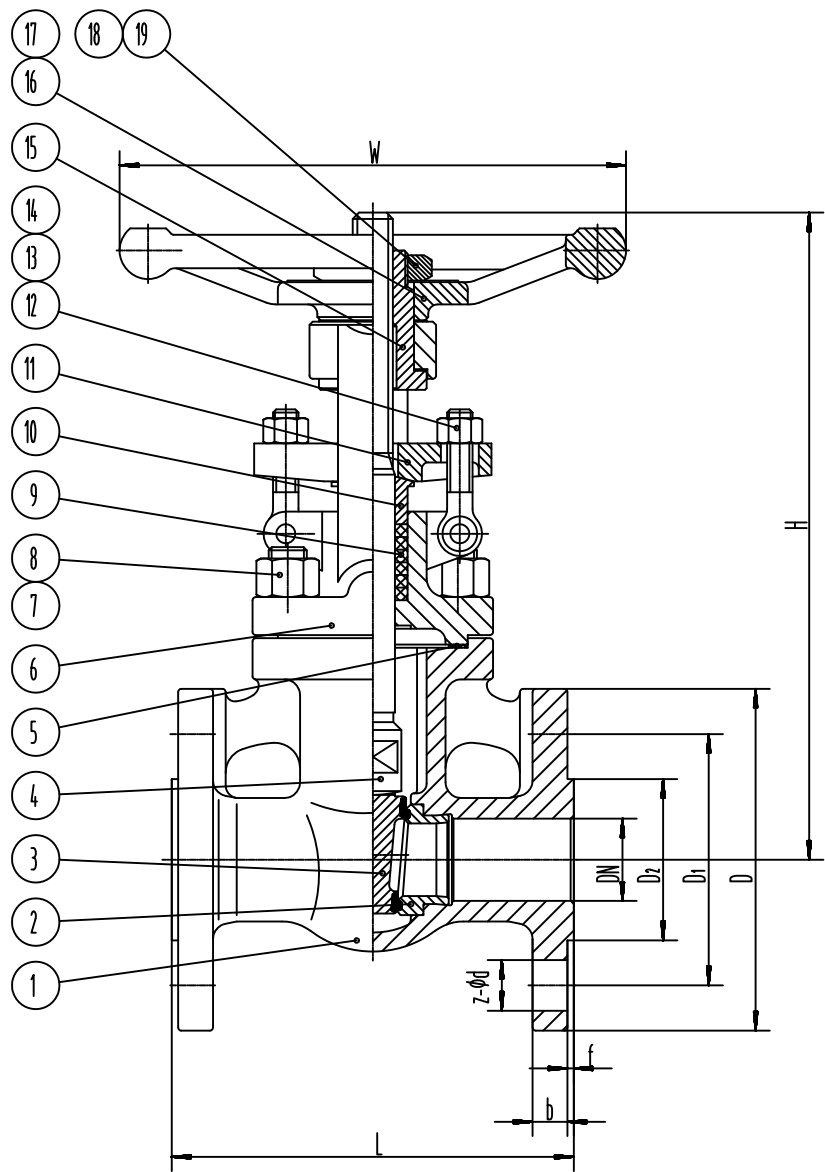
Class	NPS	Dimensions(Inch)										Product SKU
		L	D	D <sub>1</sub>	D <sub>2</sub>	DN	b	f	Z-φd	W	H	
CL150	1/2	4.25	3.54	2.37	1.37	0.63	0.31	0.08	4-5/8	3.94	5.59	GT15FC.50
	3/4	4.61	3.94	2.75	1.69	0.75	0.35	0.08	4-5/8	3.94	5.59	GT15FC.75
	1	5	4.33	3.13	2	0.98	0.38	0.08	4-5/8	4.72	6.65	GT15FC1

Revisions			
A			
B			
C			
D			
E			
Drawn By	HGP	Date	2016-7-28
Checked By	ZBF	Date	2016-7-28
Approved By	CXL	Date	2016-7-28
Certified By	QXL	Date	2016-7-28



Desc: **General Arrangement Drawing**  
**GT15FC Gate Valve**

Scale:	DWG No.:	Rev.: 0
--------	----------	------------




1. Flange dimensions to ASME B16.5
2. Face to Face dimensions to ASME B16.10
3. Design & Manufacture to API 600
4. Test & inspection to API 598

1	Body	ASTM A351 CF8M	1
2	Seat Ring	ASTM A276 316	2
3	Gate	ASTM A351 CF8M	1
4	Stem	ASTM A276 316	1
5	Spiral Wound Gasket	SS316+Graphite	1
6	Bonnet	ASTM A351 CF8M	1
7	Body bolt	ASTM A193 B8M	4
8	Body nut	ASTM A194 8M	4
9	Packing	Graphite	5
10	Gland	ASTM A276 316	1
11	Gland flange	ASTM A182 F316	1
12	Pin	SS316	2
13	Gland eyebolt	ASTM A193 B8M	2
14	Eyebolt nut	ASTM A194 8M	2
15	Stem nut	ASTM A276 410	1
16	Hand wheel	ASTM A47 32510	1
17	Lubricating Gasket	ASTM A276 410	2
18	Nameplate	SS304	1
19	Hand wheel nut	ASTM A108 1020	1
S/N	Name	Materials	Qty

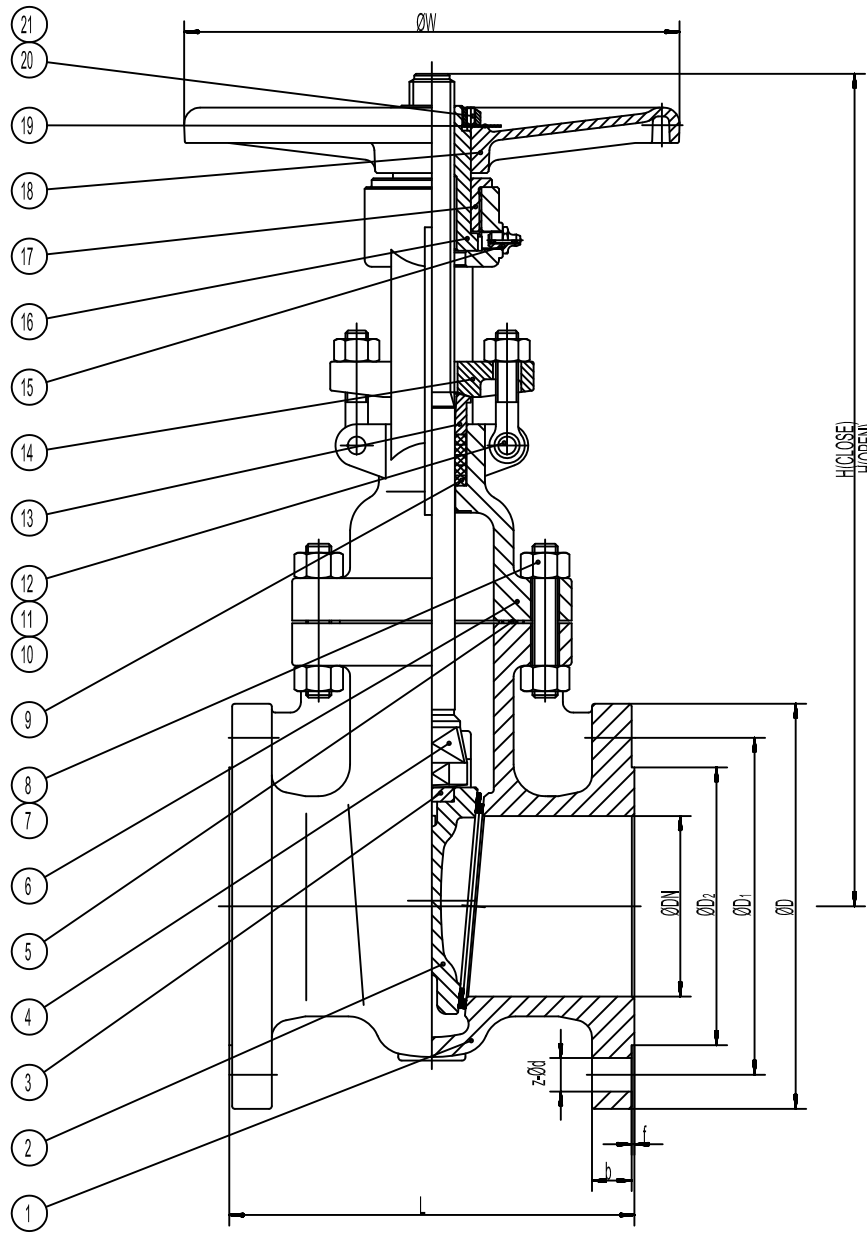
Class	NPS	Dimensions(Inch)										Product SKU
		L	D	D <sub>1</sub>	D <sub>2</sub>	DN	f	b	z-d	W	H	
CL150	1 1/2	6.5	4.92	3.87	2.87	1.57	0.08	0.5	4-5/8	7.09	10.04	GT15FC15

Revisions			
A			
B			
C			
D			
E			
Drawn By	HGP	Date	2016-7-28
Checked By	ZBF	Date	2016-7-28
Approved By	CXH	Date	2016-7-28
Certified By	QXL	Date	2016-7-28



Desc: **General Arrangement Drawing  
GT15FC Gate Valve**

Scale:      DWG No.:      Rev.: 0



1. Flange dimensions to ASME B16.5
2. Face to Face dimensions to ASME B16.10
3. Design & manufacture to API 603
4. Test & inspection to API 598

Class	NPS	Dimensions(Inch)										
		L	DN	D	D <sub>1</sub>	D <sub>2</sub>	b	f	Z-Ød	W	H(CLOSE)	H(OPEN)
150	2	7	2	5.91	4.75	3.63	0.56	0.08	4-3/4	7.87	12.32	14.69
	2 1/2	7.5	2.5	7.09	5.5	4.13	0.63	0.08	4-3/4	7.87	14.61	17.52
	3	8	3	7.48	6	5	0.69	0.08	4-3/4	9.84	16.06	19.61
	4	9	4	9.06	7.5	6.19	0.88	0.08	4-3/4	11.02	18.78	23.35
	6	10.5	6	11.02	9.5	8.5	0.94	0.08	8-7/8	11.81	23.74	30.43
	8	11.5	8	13.58	11.75	10.63	1.06	0.08	8-7/8	13.78	29.02	37.68

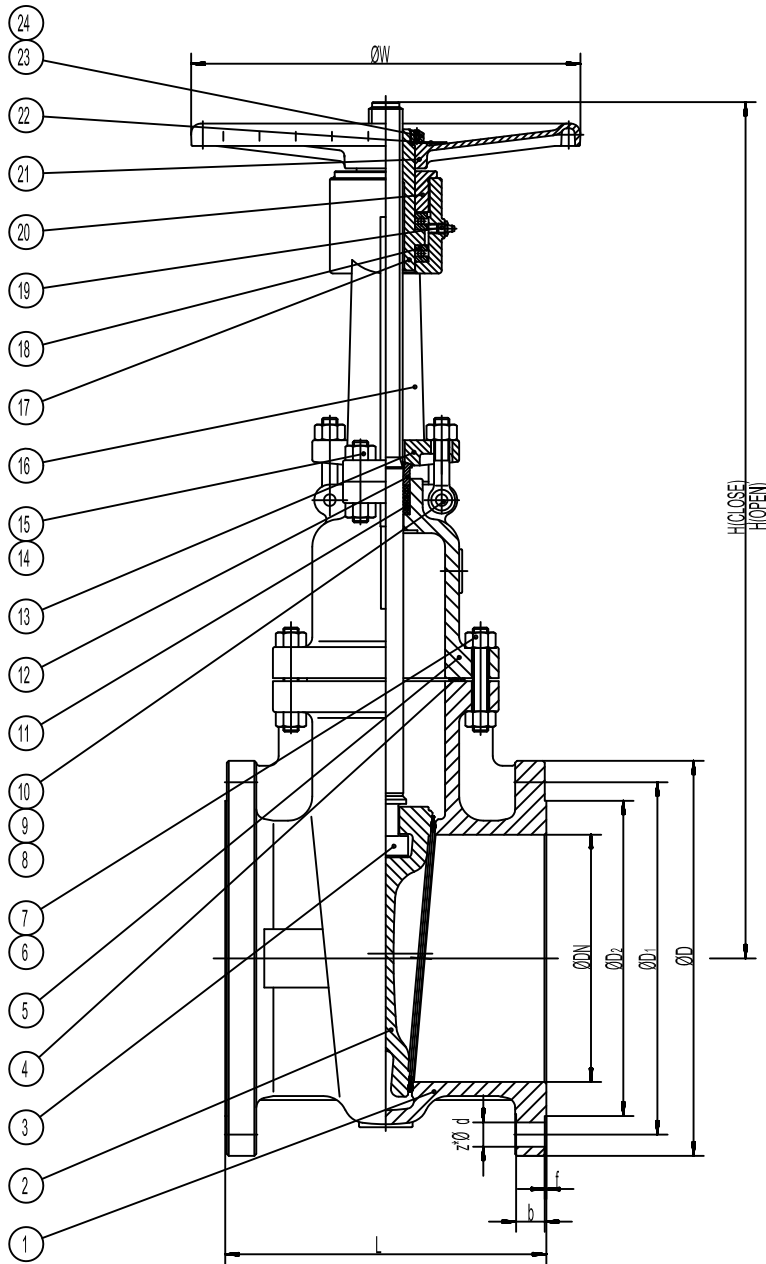
1	Body	ASTM A351 CF8M
2	Gate	ASTM A351 CF8M
3	Cushion	ASTM A182 F316
4	Stem	ASTM A182 F316
5	Gasket	ASTM A240 T316+Graphite
6	Bonnet	ASTM A351 CF8M
7	Bolt	ASTM A193 B8M
8	Nut	ASTM A194 8M
9	Packing	Graphite
10	Pin	SS316
11	Bolt	ASTM A193 B8M
12	Nut	ASTM A194 8M
13	Gland	ASTM A182 F316
14	Gland flange	ASTM A351 CF8
15	Oil cup	Copper alloy
16	Stem nut	ASTM B148 C95200
17	Yoke sleeve nut	ASTM 1035
18	Handwheel	ASTM A216 WCB
19	Nameplate	SS304
20	locknuts	ASTM 1035
21	Bolt	ASTM 1035
S/N	Name	Material

Revisions			
A			
B			
C			
D			
E			
Drawn By	CXY	Date	2017-06-23
Checked By		Date	
Approved By		Date	
Certified By		Date	



Desc:  
**General Arrangement Drawing**  
**GT15FC Gate Valve**

Scale:	DWG No.:	Rev.:
		0



1. Flange dimensions to ASME B16.5
2. Face to Face dimensions to ASME B16.10
3. Design & Manufacture to API 603
4. Test & inspection to API 598

Class	NPS	Dimensions(Inch)										
		L	DN	D	D <sub>1</sub>	D <sub>2</sub>	b	f	Z-Ød	W	H(CLOSE)	H(OPEN)
150	10	13	10	15.94	14.25	12.75	1.13	0.08	12-7/8	15.75	34.65	45.59
	12	14	12	19.09	17	15	1.19	0.08	12-7/8	17.72	40.94	53.74

1	Body	ASTM A351 CF8M+STL
2	Gate	ASTM A351 CF8M
3	Stem	ASTM A182 F316
4	Gasket	SS316+Graphite
5	Bonnet	ASTM A351 CF8M
6	Bolt	ASTM A193 B8M
7	Nut	ASTM A194 8M
8	Pin	SS316
9	Bolt	ASTM A193 B8M
10	Nut	ASTM A194 8M
11	Packing	Graphite
12	Gland	ASTM A182 F316
13	Gland flange	ASTM A351 CF8M
14	Bolt	ASTM A193 B8M
15	Nut	ASTM A194 8M
16	Yoke	ASTM A351 CF8M
17	Stem nut	ASTM B148 C95200
18	Thrust ball bearing	ASTM E52100
19	Oil cup	Copper alloy
20	Yoke sleeve nut	ASTM 1035
21	Handwheel	ASTM A216 WCB
22	Nameplate	SS304
23	locknuts	ASTM 1035
24	Bolt	ASTM 1035
S/N	Name	Material

Revisions			
A			
B			
C			
D			
E			
Drawn By	CXY	Date	2017-06-23
Checked By		Date	
Approved By		Date	
Certified By		Date	



Desc:  
**General Arrangement Drawing**  
**GT15FC Gate Valve**

Scale:	DWG No.:	Rev.:
		0