

1. Flange dimensions to ASME B16.5
2. Face to Face dimensions to ASME B16.10
3. Design & Manufacture to API 602
4. Test & inspection to API 598

1	Body	ASTM A182 F316	1
2	Seat Ring	ASTM A276 316	2
3	Gate	ASTM A276 316	1
4	Stem	ASTM A276 316	1
5	Spiral Wound Gasket	SS316+Graphite	1
6	Bonnet	ASTM A182 F316	1
7	Body bolt	ASTM A193 B8M	4
8	Packing	Graphite	5
9	Gland	ASTM A276 316	1
10	Gland flange	ASTM A182 F316	1
11	Pin	SS316	2
12	Gland eyebolt	ASTM A193 B8M	2
13	Eyebolt nut	ASTM A194 8M	2
14	Stem nut	ASTM A276 410	1
15	Hand wheel	ASTM A47 32510	1
16	Lubricating Gasket	ASTM A276 410	1
17	Nameplate	SS304	1
18	Hand wheel nut	ASTM A108 1020	1
S/N	Name	Materials	Qty

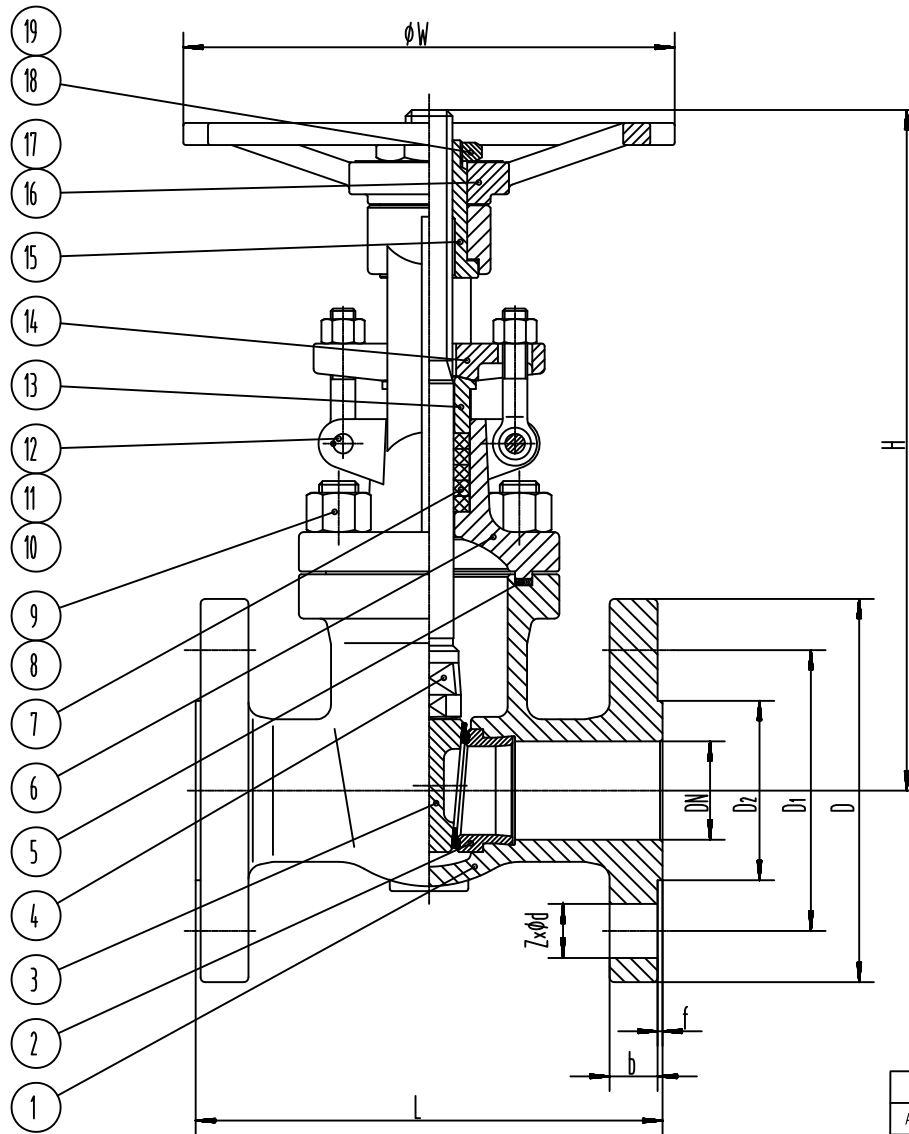
Class	NPS	Dimensions(Inch)										Product SKU
		L	D	D ₁	D ₂	DN	f	b	z- d	W	H	
CL300	1	6.5	4.92	3.5	2	0.98	0.08	0.63	4-3/4	4.72	6.65	GT30FC1

Revisions			
A			
B			
C			
D			
E			
Drawn By	HGP	Date	2016-7-28
Checked By	ZBF	Date	2016-7-28
Approved By	CXL	Date	2016-7-28
Certified By	QXL	Date	2016-7-28



Desc:
General Arrangement Drawing
GT30FC Gate Valve

Scale:	DWG No.:	Rev.:
		0



1. Flange dimensions to ASME B16.5
2. Face to Face dimensions to ASME B16.10
3. Design & Manufacture to API 600
4. Test & inspection to API 598

S/N	Name	Materials	Qty
1	Body	ASTM A351 CF8M	1
2	Seal Ring	ASTM A276 316	2
3	Gate	ASTM A351 CF8M	1
4	Stem	ASTM A276 316	1
5	Spiral Wound Gasket	SS316+Graphite	1
6	Bonnet	ASTM A351 CF8M	1
7	Packing	Graphite	5
8	Body bolt	ASTM A193 B8M	4
9	Body nut	ASTM A194 8M	4
10	Pin	SS316	2
11	Gland eyebolt	ASTM A193 B8M	2
12	Eyebolt nut	ASTM A194 8M	2
13	Gland	ASTM A276 316	1
14	Gland flange	ASTM A182 F316	1
15	Stem nut	ASTM A276 316	1
16	Hand wheel	ASTM A47 32510	1
17	Lubricating Gasket	ASTM A276 410	2
18	Nameplate	SS304	1
19	Hand wheel nut	ASTM A108 1020	1

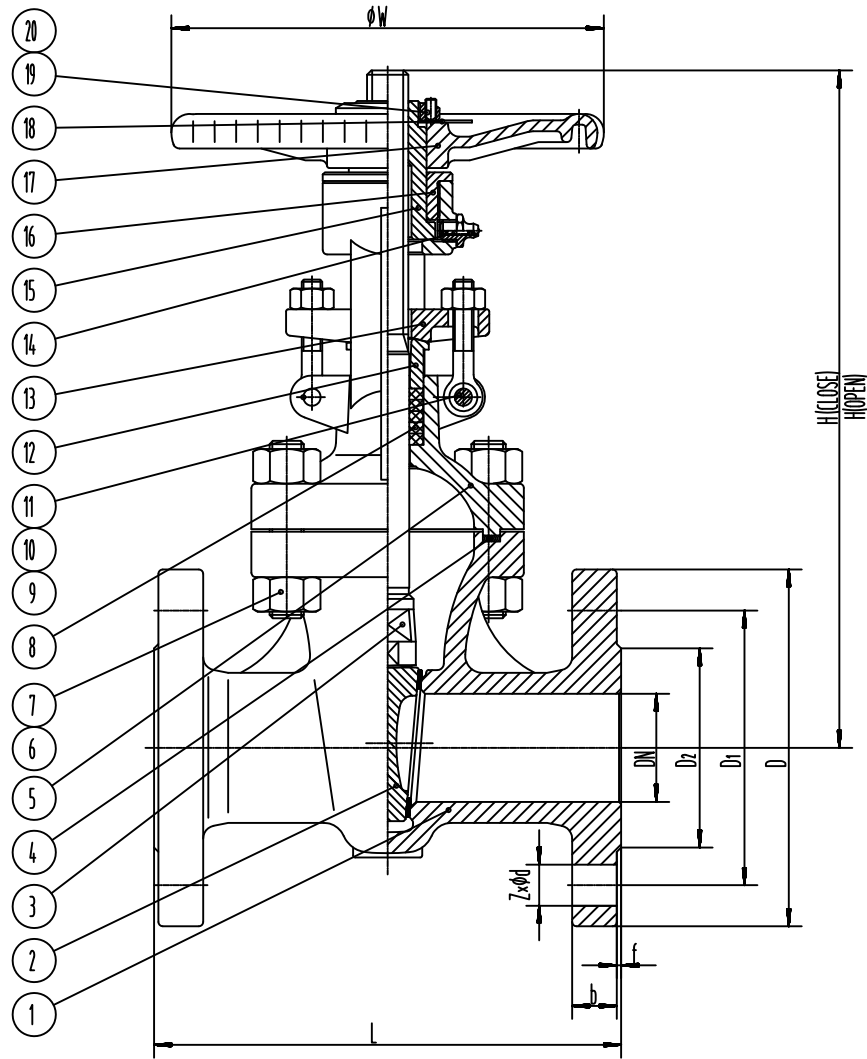
Class	NPS	Dimensions(Inch)									Product SKU	
		L	D	D ₁	D ₂	DN	f	b	z-d	W		H
CL300	1 1/2	7.5	6.1	4.5	2.87	1.5	0.08	0.75	4-7/8	7.87	10.91	GT30FC15

Revisions			
A			
B			
C			
D			
E			
Drawn By	HGP	Date	2016-7-28
Checked By	ZBF	Date	2016-7-28
Approved By	CXH	Date	2016-7-28
Certified By	QXL	Date	2016-7-28



Desc:
General Arrangement Drawing
GT30FC Gate Valve

Scale:	DWG No.:	Rev.:
		0



1. Flange dimensions to ASME B16.5
2. Face to Face dimensions to ANSI B16.10
3. Manufacture in accordance with API600.
4. Valves tested to API 598

1	Body	ASTM A351 CF8M	1
2	Gate	ASTM A351 CF8M	1
3	Stem	ASTM A182 F316	1
4	Gasket	SS316+Graphite	1
5	Bonnet	ASTM A351 CF8M	1
6	Bolt	ASTM A193 B8M	4
7	Nut	ASTM A194 8M	8
8	Packing	Graphite	5
9	Pin	SS316	2
10	Bolt	ASTM A193 B8M	2
11	Nut	ASTM A194 8M	2
12	Gland	ASTM A182 F316	1
13	Gland flange	ASTM A351 CF8M	1
14	Oil cup	Copper alloy	1
15	Stem nut	ASTM B148 C95200	1
16	Yoke sleeve nut	ASTM 1035	1
17	Handwheel	ASTM A216 WCB	1
18	Nameplate	SS304	1
19	locknuts	ASTM 1035	1
20	Bolt	ASTM 1035	1
S/N	Name	Material	QTY

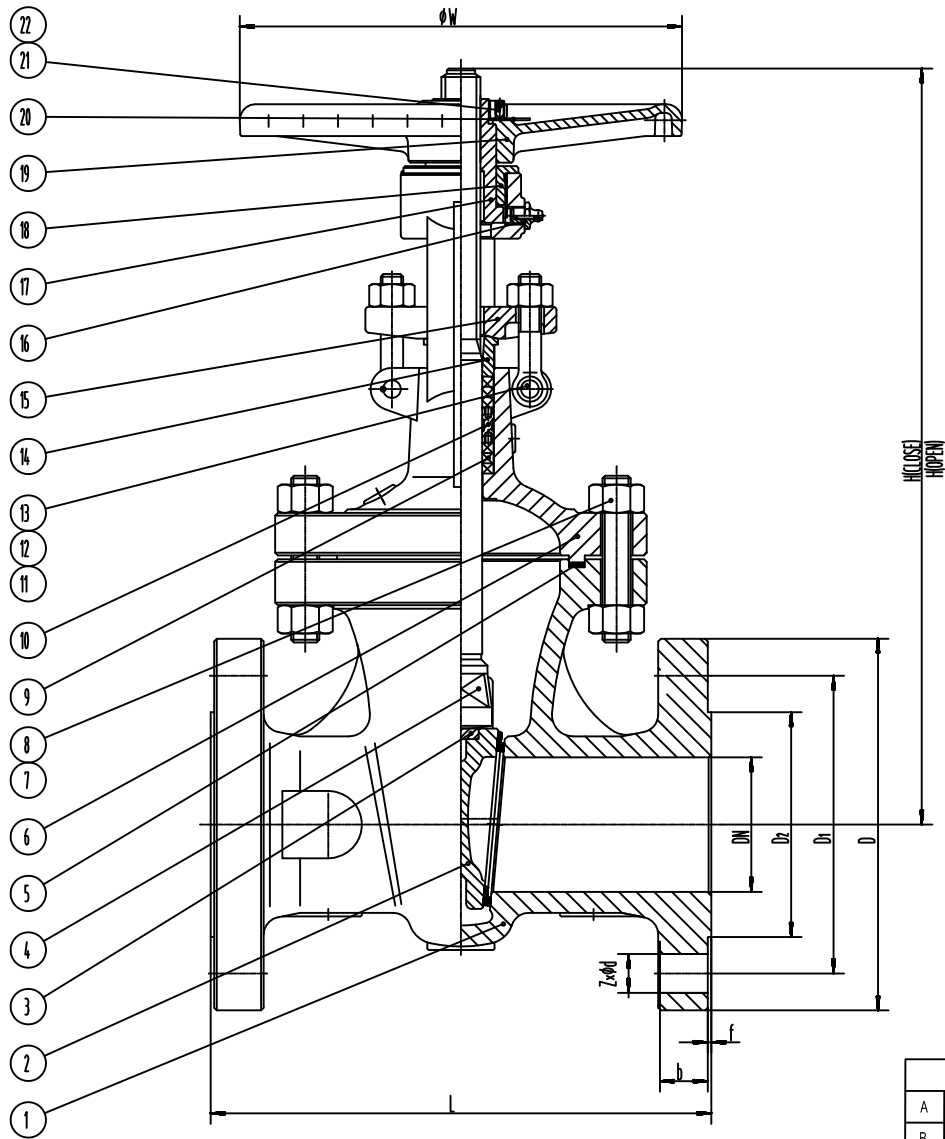
Revisions			
A			
B			
C			
D			
E			
Drawn By	HGP	Date	2016-7-28
Checked By	ZBF	Date	2016-7-28
Approved By	CXH	Date	2016-7-28
Certified By	QXL	Date	2016-7-28



Desc: **General Arrangement Drawing
GT30FC Gate Valve**

Class	NPS	Dimensions(Inch)											Product SKU
		L	D	D1	D2	DN	f	b	z-d	H(Close)	H(Open)	W	
CL300	2	8.5	6.5	5	3.63	2	0.08	0.81	8-3/4	14.17	16.54	7.87	GT30FC2

Scale:	DWG No.:	Rev.: 0
--------	----------	------------



1. Flange dimensions to ASME B16.5
2. Face to Face dimensions to ANSI B16.10
3. Manufacture in accordance with API600.
4. Valves tested to API 598

1	Body	ASTM A351 CF8M	1
2	Gate	ASTM A351 CF8M	1
3	Cushion	ASTM A182 F316	1
4	Stem	ASTM A182 F316	1
5	Gasket	SS316+Graphite	1
6	Bonnet	ASTM A351 CF8M	1
7	Bolt	ASTM A193 B8M	8
8	Nut	ASTM A194 8M	16
9	Packing	Graphite	6
10	Retainer	ASTM A182 F316	1
11	Pin	SS316	2
12	Bolt	ASTM A193 B8M	2
13	Nut	ASTM A194 8M	2
14	Gland	ASTM A182 F316	1
15	Gland flange	ASTM A351 CF8M	1
16	Oil cup	Copper alloy	1
17	Stem nut	ASTM B148 C95200	1
18	Yoke sleeve nut	ASTM 1035	1
19	Handwheel	ASTM A216 WCB	1
20	Nameplate	SS304	1
21	locknuts	ASTM 1035	1
22	Bolt	ASTM 1035	1
S/N	Name	Material	QTY

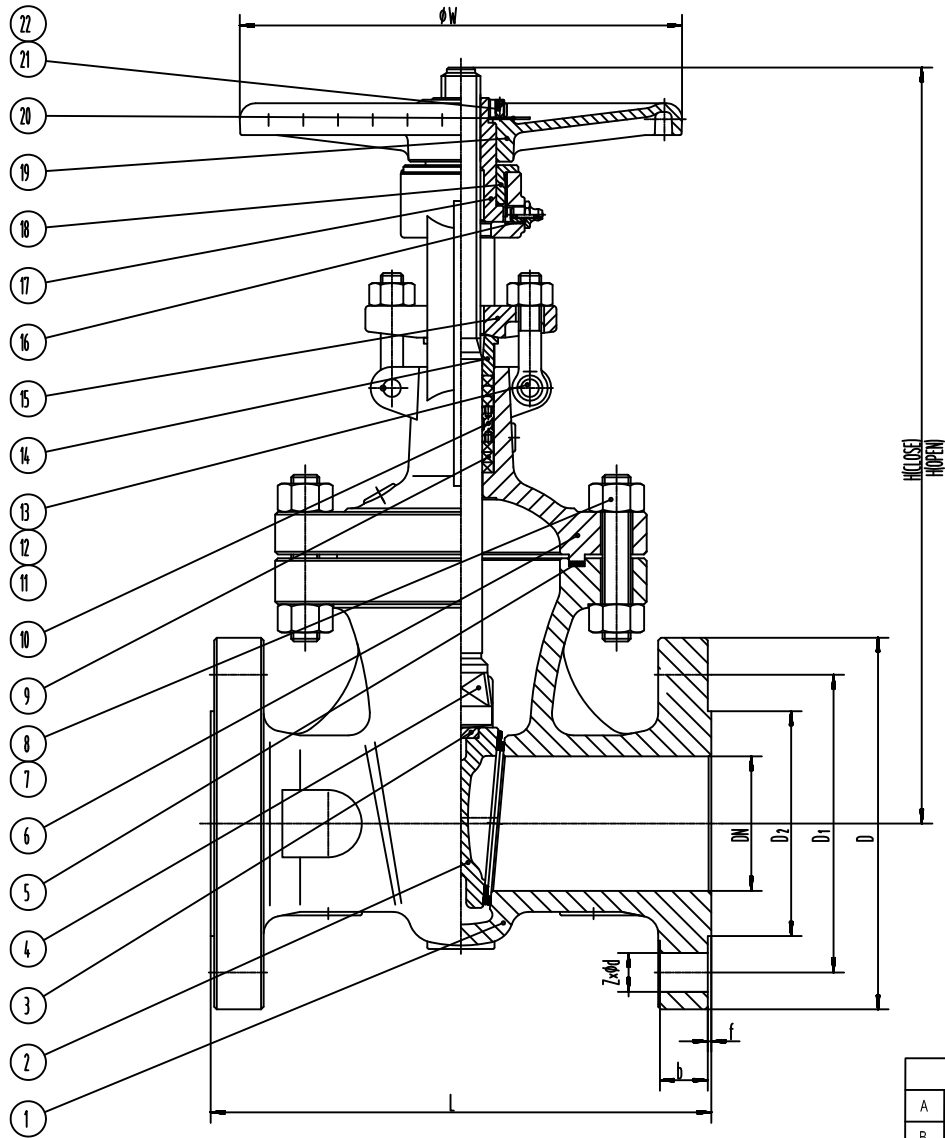
Class	NPS	Dimensions(Inch)											Product SKU
		L	D	D1	D2	DN	f	b	z-d	H(Close)	H(Open)	W	
CL300	3	11.14	8.27	6.63	5	3	0.08	1.06	8-7/8	17.05	20.59	9.84	GT30FC3

Revisions			
A			
B			
C			
D			
E			
Drawn By	HGP	Date	2016-7-28
Checked By	ZBF	Date	2016-7-28
Approved By	CXH	Date	2016-7-28
Certified By	QXL	Date	2016-7-28



Desc:
General Arrangement Drawing
GT30FC Gate Valve

Scale:	DWG No.:	Rev.: 0
--------	----------	------------



1. Flange dimensions to ASME B16.5
2. Face to Face dimensions to ANSI B16.10
3. Manufacture in accordance with API600.
4. Valves tested to API 598

1	Body	ASTM A351 CF8M	1
2	Gate	ASTM A351 CF8M	1
3	Cushion	ASTM A182 F316	1
4	Stem	ASTM A182 F316	1
5	Gasket	SS316+Graphite	1
6	Bonnet	ASTM A351 CF8M	1
7	Bolt	ASTM A193 B8M	16
8	Nut	ASTM A194 8M	32
9	Packing	Graphite	6
10	Retainer	ASTM A182 F316	1
11	Pin	SS316	2
12	Bolt	ASTM A193 B8M	2
13	Nut	ASTM A194 8M	2
14	Gland	ASTM A182 F316	1
15	Gland flange	ASTM A351 CF8M	1
16	Oil cup	Copper alloy	1
17	Stem nut	ASTM B148 C95200	1
18	Yoke sleeve nut	ASTM 1035	1
19	Handwheel	ASTM A216 WCB	1
20	Nameplate	SS304	1
21	locknuts	ASTM 1035	1
22	Bolt	ASTM 1035	1
S/N	Name	Material	QTY

Class	NPS	Dimensions(Inch)										Product SKU	
		L	D	D ₁	D ₂	DN	f	b	z- d	H(Close)	H(Open)		W
CL300	6	15.87	12.6	10.63	8.5	6	0.08	1.38	12-7/8	25.2	31.81	13.78	GT30FC6

Revisions			
A			
B			
C			
D			
E			
Drawn By	HGP	Date	2016-7-28
Checked By	ZBF	Date	2016-7-28
Approved By	CXH	Date	2016-7-28
Certified By	QXL	Date	2016-7-28



Desc:
General Arrangement Drawing
GT30FC Gate Valve

Scale:	DWG No.:	Rev.: 0
--------	----------	------------